

CMB developed following combined ball/roller, roller/roller bearings, all products has gain positive appraise from all customers. With the enhanced technique and skilled working on production control, some new logistic use combined roller bearings also in develop and trial sale stage.

Catalog Index

Combined roller/ball, roller/roller bearings:

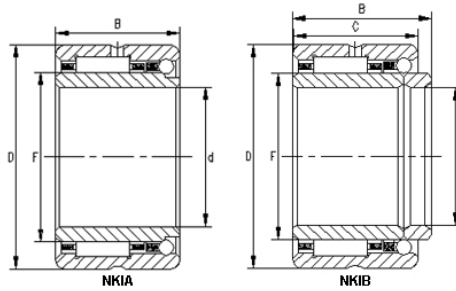
- Needle roller/angular contact ball bearings-NK1A,NK1B
- Needle roller/angular contact ball bearings-NX,NX..Z
- Needle roller/thrust ball bearings-NKX,NKX..Z
- Needle roller/thrust cylindrical roller bearings-NKXR,NKXR..Z
- Needle roller/double direction roller bearings-ZARN,ZARN..L
- Needle roller/ double direction roller bearings-ZARF,ZARF..L
- Needle roller/ roller bearings-RAX 700,RAXF 700
- Needle roller/ roller bearings-RAX 400,RAX 500
- Needle roller/ roller bearings-RAXPZ 400,RAXF 500

Combined roller bearings for Logistic Industry

- Standard combined roller bearings
- (Developing products)

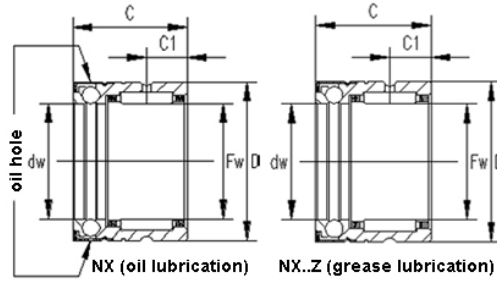


Needle roller/angular contact ball bearings-NKIA,NKIB



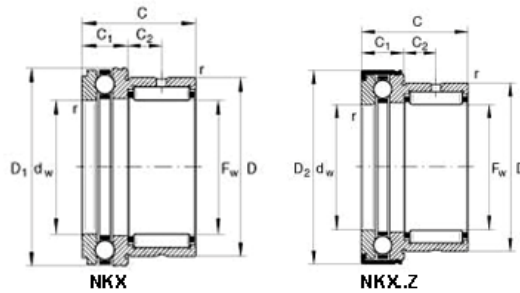
Bearing No.	Dimension (mm)				Redial load (N)				Limiting speed	Mass
	d	F	D	B	Cr	Cor	Ca	Coa	rpm	(g)
NKIA 5901	12	16	24	16	5047	6352	2010	1620	23000	40
NKIA 5902	15	20	28	18	8400	9600	2140	2070	21000	50
NKIA 5903	17	22	30	18	8800	10600	2340	2370	20000	56
NKIA 5904	20	25	37	23	18000	21000	3140	3900	17000	103
NKIA 59/22	22	28	39	23	19500	25500	3550	4200	15000	118
NKIA 5905	25	30	42	23	20500	27000	3600	4800	14000	130
NKIA 5906	30	35	47	23	22500	31500	4050	5400	13000	147
NKIA 5907	35	42	55	27	28000	46000	5700	7500	11000	243
NKIA 5908	40	48	62	30	39000	55050	6000	8900	9000	315
NKIA 5909 X	45	52	68	30	40500	68900	6300	10500	8500	375
NKIA 5910 X	50	58	72	30	42500	75000	6890	11800	8000	380
NKIA 5911	55	63	80	34	50800	96000	8050	14500	7000	550
NKIA 5912	60	68	85	34	56400	98000	9500	15800	6500	590
NKIA 5913 X	65	72	90	34	57500	106000	9800	17000	6500	635
NKIA 5914	70	80	100	40	79050	152000	11800	22500	5500	980
NKIB 5901	12	16	24	16	7600	8300	2160	1940	23000	43
NKIB 5902	15	20	28	18	10600	13600	2340	2370	21000	52
NKIB 5903	17	22	30	18	11000	14600	2500	2750	20000	58
NKIB 5904	20	25	37	23	21000	25500	3950	4200	17000	107
NKIB 59/22	22	28	39	23	22800	29500	4250	4850	15000	122
NKIB 5905	25	30	42	23	23600	31500	4350	5200	14000	134
NKIB 5906	30	35	47	23	25000	35500	4750	6300	13000	151
NKIB 5907	35	42	55	27	31500	50000	6000	8400	11000	247
NKIB 5908	40	48	62	30	43000	67000	7400	10900	9000	320
NKIB 5909 X	45	52	68	30	45000	73000	7700	12000	8500	380
NKIB 5910 X	50	58	72	30	47000	80000	8100	13700	8000	385
NKIB 5911	55	63	80	34	58000	100000	9700	16600	7000	555
NKIB 5912	60	68	85	34	60000	108000	10000	17900	6500	595
NKIB 5913 X	65	72	90	34	61000	112000	10300	19300	6500	640
NKIB 5914	70	80	100	40	84000	156000	13500	25000	5500	985

Needle roller/angular contact ball bearings-NX,NX..Z



Bearing No.		Mass (g)	Dimension (mm)					Load rating (N)				Speed	Mounting Dimension (mm)		
Oil	Grease		Fw	D	D1	D2	C	Cr	Cor	Ca	Coa	rpm	C2	d1	Da
NX 7 TN	NX 7 ZTN	14	7	14	18	4.7	7	2400	2350	3050	3800	15000	10	16.5	9.6
NX 10	NX 10 Z	25	10	19	18	4.7	10	3850	3350	4350	5860	11000	10	21.9	14.6
NX 12	NX 12 Z	28	12	21	18	4.7	12	4250	3900	4500	6800	9500	10	23.7	16.6
NX 15	NX 15 Z	48	15	24	28	8	15	9670	9850	5650	9350	8000	12.2	26.5	19
NX 17	NX 17 Z	53	17	26	28	8	17	9860	13800	5900	10500	7500	12.2	28.5	21
NX 20	NX 20 Z	68	20	30	28	8	20	9980	14800	6800	11900	6500	12.2	33.6	25
NX 25	NX 25 Z	115	25	37	30	8	25	12900	20800	10900	20500	4900	14.2	40.4	31.6
NX 30	NX 30 Z	130	30	42	30	10	30	19600	32500	11500	22400	4300	14.2	45.1	36.5
NX 35	NX 35 Z	160	35	47	30	10	35	20500	39600	11900	28500	3700	14.2	50.1	40.5

Needle roller/thrust ball bearings-NKX,NKX..Z

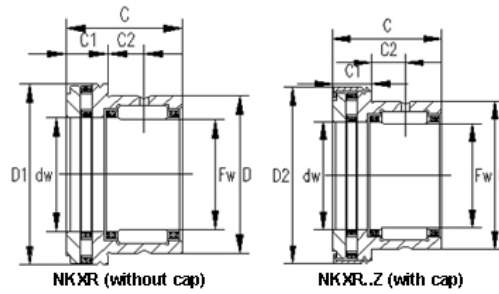


Bearing No.	Mass (g)	Bearing No.	Mass (g)	Dimension (mm)								Radial load (N)		Axial load (N)		Speed		
				Fw	D	D1	D2	C	C	C2	dw	r	rsmin	Cr	Cor	Cr	Cor	rpm
NKX10 TN	34	NKX10 Z TN	36	10	19	24.1	25.2	23	9	6.5	10	0.3	0.3	6200	7800	10000	14000	12000
NKX12	38	NKX12Z	40	12	21	26.1	27.2	23	9	6.5	12	0.3	0.3	9000	11000	10300	15400	11000
NKX15	44	NKX15Z	47	15	24	28.1	29.2	23	9	6.5	15	0.3	0.3	10700	12700	10500	16800	9500
NKX17	53	NKX17Z	55	17	26	30.1	31.2	25	9	8	17	0.3	0.3	11900	15000	10800	18200	8500
NKX20	83	NKX20Z	90	20	30	35.1	36.2	30	10	10.5	20	0.3	0.3	16400	23800	14300	24700	7500
NKX25	125	NKX25Z	132	25	37	42.1	43.2	30	11	9.5	25	0.6	0.6	18800	30500	19600	37500	6000
NKX30	141	NKX30Z	148	30	42	47.1	48.2	30	11	9.5	30	0.6	0.6	22600	36000	20400	42000	5000
NKX35	163	NKX35Z	168	35	47	52.1	53.2	30	12	9	35	0.6	0.6	24300	41500	21200	47000	4600
NKX40	200	NKX40Z	208	40	52	60.1	61.2	32	13	10	40	0.6	0.6	26000	47000	27000	63000	4000

Combined needle roller/ball/roller bearings

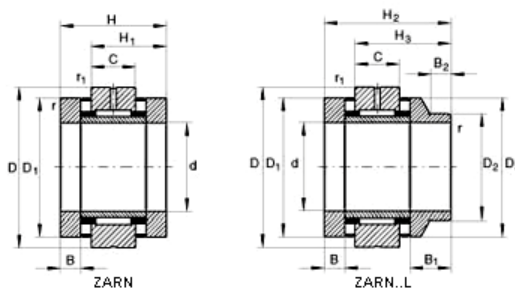
NKX45	252	NKX45Z	265	45	58	65.2	66.5	32	14	9	45	0.6	27500	53000	28000	69000	3600
NKX50	280	NKX50Z	300	50	62	70.2	71.5	35	14	10	50	0.6	38000	74000	29000	75000	3300
NKX60	360	NKX60Z	380	60	72	85.2	86.5	40	17	12	60	1	42000	90000	41500	113000	2800
NKX70	500	NKX70Z	520	70	85	95.2	96.5	40	18	11	70	1	44500	92000	43000	127000	2400

Needle roller/thrust cylindrical roller bearings-NKXR,NKXR..Z



Bearing No.	Mass (g)	Bearing No.	Mass (g)	Dimension (mm)					Radial load (N)		Axial load (N)		Speed rpm
				Fw	D	C	C1	dw	Cr	Cor	Ca	coa	
NKXR 15	42	NKXR 15 Z	45	15	24	23	9	15	9670	9850	10900	24500	11000
NKXR 17	50	NKXR 17 Z	53	17	26	25	9	17	9860	13800	12800	32800	10000
NKXR 20	80	NKXR 20 Z	84	20	30	30	10	20	12000	20500	20900	50600	8500
NKXR 25	120	NKXR 25 Z	125	25	37	30	11	25	14500	29500	31500	73500	7000
NKXR 30	135	NKXR 30 Z	141	30	42	30	11	30	19600	32500	32800	82500	6000
NKXR 35	157	NKXR 35 Z	165	35	47	30	12	35	20500	39600	36800	96000	5500
NKXR 40	204	NKXR 40 Z	214	40	52	32	13	40	22300	44500	54000	13900	4800
NKXR 45	244	NKXR 45 Z	260	45	58	32	14	45	24500	50980	57500	14800	4400
NKXR 50	268	NKXR 50 Z	288	50	62	35	14	50	34800	70800	60500	16900	4000

Needle roller/double direction roller bearings-ZARN,ZARN..L

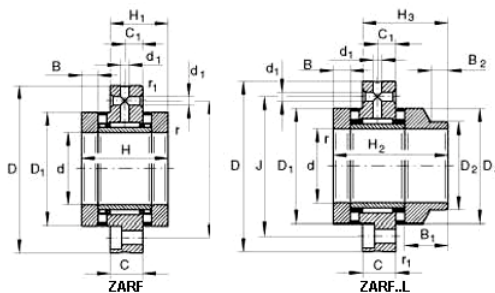


Bearing No.	Mass (g)	Bearing No.	Mass (g)	Dimension (mm)								Load rating (KN)				Speed		Torque N.m	
				d	D	H	H1	C	D1	B	rs	r1s	Cr	Cor	Ca	Coa	oil		grease
ZARN1545	340	ZARN1545-L TN	370	15	45	40	28	16	35	7.5	0.3	0.6	1.3	17.5	24.9	53	8500	2200	10
ZARN1747	370	ZARN1747-L TN	410	17	47	43	29.5	16	38	9	0.3	0.6	1.4	19.9	26	57	7800	2100	12
ZARN2052	410	ZARN2052-L TN	460	20	52	46	31	16	42	10	0.3	0.6	14.9	22.4	33.5	76	7000	2000	18

Combined needle roller/ball/roller bearings

ZARN2062	870	ZARN2062-L TN	990	20	62	60	40	20	52	12.5	0.3	0.6	22.6	36	64	141	6000	1500	38
ZARN2557	530	ZARN2557-L TN	590	25	57	50	35	20	47	10	0.3	0.6	22.6	36	33.5	86	6000	1900	25
ZARN2572	1170	ZARN2572-L TN	1320	25	72	60	40	20	62	12.5	0.3	0.6	24.3	41.5	80	199	4900	1400	55
ZARN3062	600	ZARN3062-L TN	750	30	62	50	35	20	52	10	0.3	0.6	24.3	41.5	39	101	5500	1800	32
ZARN3080	1500	ZARN3080-L TN	1700	30	80	66	43	20	68	14	0.3	0.6	26	47	107	265	4400	1300	75
ZARN3570	800	ZARN3570-L TN	930	35	70	54	37	20	60	11	0.3	0.6	26	47	56	148	4800	1700	42
ZARN3585	1650	ZARN3585-L TN	1800	35	85	66	43	20	73	14	0.3	0.6	27.5	53	105	265	4000	1250	100
ZARN4075	900	ZARN4075-L TN	1000	40	75	54	37	20	65	11	0.3	0.6	27.5	53	59	163	4400	1600	55
ZARN4090	2090	ZARN4090-L TN	2390	40	90	75	50	25	78	16	0.3	0.6	38	74	117	315	3700	1200	120
ZARN4580	1120	ZARN4580-L TN	1270	45	80	60	42.5	25	70	11.5	0.3	0.6	38	74	61	177	4000	1500	65
ZARN45105	3020	ZARN45105-L TN	3420	45	105	82	53.5	25	90	17.5	0.3	0.6	40	82	154	405	3300	1150	150
ZARN5090	1430	ZARN5090-L TN	1780	50	90	60	42.5	25	78	11.5	0.3	0.6	40	82	90	300	3600	1200	85
ZARN50110	3300	ZARN50110-L TN	3750	50	110	82	53.5	25	95	17.5	0.3	0.6	42	90	172	480	3100	1100	180
ZARN55115	3500	ZARN55115-L TN	4000	55	115	82	53.5	25	100	17.5	0.3	0.6	44	98	177	500	2900	1000	220
ZARN60120	3700	ZARN60120-L TN	4850	60	120	82	53.5	25	105	17.5	0.3	0.6	44.5	92	187	550	2700	950	250
ZARN65125	4000	ZARN65125-L TN	4600	65	125	82	53.5	25	110	17.5	0.3	0.6	54	104	172	500	2600	900	270
ZARN70130	4100	ZARN70130-L TN	4850	70	130	82	53.5	25	115	17.5	0.3	0.6	56	119	201	630	2400	800	330

Needle roller/ double direction roller bearings-ZARF,ZARF..L



Bearing No.	Mass (g)	Bearing No.	Mass (g)	Dimension (mm)								Load rating (KN)				Speed		Torque N.m	
				d	D	H	H1	C	D1	B	rs	r1min	Cr	Cor	Ca	Coa	oil		grease
ZARF1560	420	ZARF1560L	450	15	60	40	26	14	35	7.5	0.3	0.6	13	17.5	24.9	53	8500	2200	10
ZARF1762	490	ZARF1762L	520	17	62	43	27.5	14	38	9	0.3	0.6	14	19.9	26	57	7800	2100	12
ZARF2068	560	ZARF2068L	610	20	68	46	29	14	42	10	0.3	0.6	14.9	22.4	33.5	76	7000	2000	18
ZARF2080	1100	ZARF2080L	1220	20	80	60	38	18	52	12.5	0.3	0.6	22.6	36	64	141	6000	1500	38
ZARF2575	780	ZARF2575L	840	25	75	50	33	18	47	10	0.3	0.6	22.6	36	33.5	86	6000	1900	25
ZARF2590	1600	ZARF2590L	1750	25	90	60	38	18	62	12.5	0.3	0.6	24.3	41.5	80	199	4900	1400	55
ZARF3080	850	ZARF3080L	900	30	80	50	33	18	52	10	0.3	0.6	24.3	41.5	39	101	5500	1800	32
ZARF30105	1950	ZARF30105L	2150	30	105	66	41	18	68	14	0.3	0.6	26	47	107	265	4400	1300	75
ZARF3590	1120	ZARF3590L	1250	35	90	54	35	18	60	11	0.3	0.6	26	47	56	148	4800	1700	42
ZARF35110	1600	ZARF35110L	1850	35	110	66	41	18	73	14	0.3	0.6	27.5	53	105	265	4000	1250	100
ZARF40100	1350	ZARF40100L	1450	40	100	54	35	18	65	11	0.3	0.6	27.5	53	59	163	4400	1600	55
ZARF40115	2700	ZARF40115L	3000	40	115	75	47.5	22.5	78	16	0.3	0.6	38	74	117	315	3700	1200	120
ZARF45105	1700	ZARF45105L	1850	45	105	60	40	22.5	70	11.5	0.3	0.6	38	74	61	177	4000	1500	65



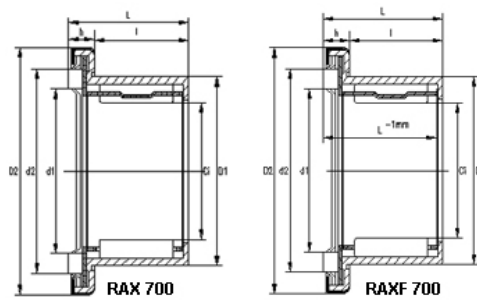
Imp. dist. de retenes rodamientos y afines S.A.

Av. Ramón carcamo 720 Lima 1 - Perú
 Teléfono: (511) 424 7518 / Fax: (511) 423 4099
 Nextel: 831*7611 / 818*3953

Combined needle roller/ball/roller bearings

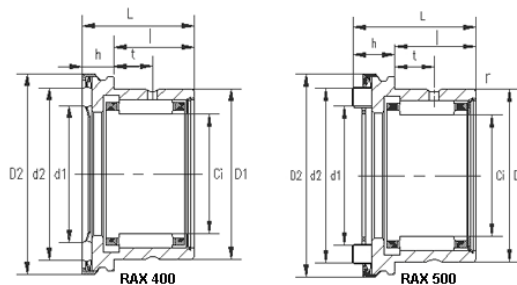
ZARF45130	3900	ZARF45130L	4300	45	130	82	51	22.5	90	17.5	0.3	0.6	40	82	154	405	3300	1150	150
ZARF50115	2100	ZARF50115L	2450	50	115	60	40	22.5	78	11.5	0.3	0.6	40	82	90	300	3600	1200	85
ZARF50140	4200	ZARF50140L	4650	50	140	82	51	22.5	95	17.5	0.3	0.6	42	90	172	480	3100	1100	180
ZARF55145	4500	ZARF55145L	5000	55	145	82	51	22.5	100	17.5	0.3	0.6	44	98	177	500	2900	1000	220
ZARF60150	4700	ZARF60150L	5350	60	150	82	51	22.5	105	17.5	0.3	0.6	44.5	92	187	550	2700	950	250
ZARF65155	5100	ZARF65155L	5700	65	155	82	51	22.5	110	17.5	0.3	0.6	54	104	172	500	2600	900	270
ZARF70160	5200	ZARF70160L	5950	70	160	82	51	22.5	115	17.5	0.3	0.6	56	119	201	630	2400	800	330

Needle roller/ roller bearings-RAX 700,RAXF 700



Bearing No.	Mass	Bearing No.	Mass	Dimension (mm)								Load rating (KN)				Speed
RAX700	(g)	RAXF700	(g)	Ci	D1	D2	l	h	L	d1	d2	Cr	Cor	Ca	Coa	rpm
RAX705	4.5	--	--	5	9	15.5	7.7	3.3	11	7.2	11.2	1720	1560	2520	5080	25000
RAX712	16.5	RAXF712	17.5	12	18	27.5	10	4.2	14.2	15	22.6	5040	5760	5520	14100	13000
RAX714	18	RAXF714	20	14	20	29.5	10	4.2	14.2	17	24.6	5520	6800	5920	16000	11500
RAX715	20	RAXF715	22	15	21	31.5	10	4.2	14.2	19	26.6	5920	7440	6240	17600	10500
RAX718	27	RAXF718	30	18	24	33.5	14	4.2	18.2	21	28.6	9200	14100	7200	18400	10000
RAX720	31	RAXF720	35	20	26	36.5	14	4.2	18.2	22	31.6	9760	15600	9400	31200	9000
RAX725	55	RAXF725	60	25	33	45.5	18	4.2	22.2	30	39.6	16400	25600	10900	40600	7200
RAX730	63	RAXF730	70	30	38	50.5	18	4.2	22.2	35	44.7	17800	30000	11900	54000	6300
RAX735	75	RAXF735	84	35	43	56.5	18	4.2	22.2	39	50.9	19600	36000	15500	70400	5500
RAX740	86	RAXF740	96	40	48	61.5	18	4.2	22.2	43	54.9	20900	40800	16300	76800	5000
RAX745	88	RAXF745	99	45	52	66.5	18	4.2	22.2	48	59.9	19800	44000	17400	87200	4500

Needle roller/ roller bearings-RAX 400,RAX 500

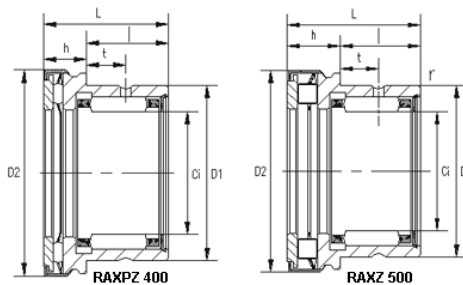


Imp. dist. de retenes rodamientos y afines S.A.

Av. Ramón carcamo 720 Lima 1 - Perú
 Teléfono: (511) 424 7518 / Fax: (511) 423 4099
 Nextel: 831*7611 / 818*3953

Bearing No.		Dimension (mm)									Load rating (KN)				Speed	Mass	
RAX400	RAXF500	Ci	D1	D2	l	h	L	t	r min	d1	d2	Cr	Cor	Ca	Coa	rpm	(g)
RAX410	--	10	19	22	14	5	19	6	0.35	12	18.6	4800	5700	4000	9800	15500	25
--	RAX510	10	19	22	14	5.5	19.5	6	0.35	12.2	18.5	4800	5700	6500	14300	15500	26
RAX412	--	12	21	26	14	5	19	6	0.35	15	22.6	5200	6700	5600	14800	13000	32
--	RAX512	12	21	26	14	6	20	6	0.35	14.8	22.9	5200	6700	10100	23600	13000	33
RAX415	--	15	24	28	14	5	19	6	0.35	17	24.6	7500	9300	6000	16600	11500	34
--	RAX515	15	24	28	14	6	20	6	0.35	16.8	24.9	7500	9300	11200	27200	11500	36
RAX417	--	17	26	30	16	5	21	8	0.65	19	26.6	9400	13000	6400	18400	10500	41
--	RAX517	17	26	30	16	6	22	8	0.65	18.8	26.9	9400	13000	12000	31200	10500	44
RAX420	--	20	30	35	18	6	24	9	0.85	22	31.6	11700	18200	9400	31200	9000	66
--	RAX520	20	30	35	18	8	26	9	0.85	22	31.6	11700	18200	17600	43200	9000	70
RAX425	--	25	37	42	18	6	24	9	0.85	27.7	37.4	12800	22000	10600	39200	7500	99
--	RAX525	25	37	42	18	8	26	9	0.85	27.7	37.4	12800	22000	20400	63000	7500	105
RAX430	--	30	42	47	18	6	24	9	0.85	32.7	42.4	16400	27200	11600	45600	6500	111
--	RAX530	30	42	47	18	8	26	9	0.85	32.7	42.3	16400	27200	21200	61600	6500	118
RAX435	--	35	47	53	18	6	24	9	0.85	37.2	49	17600	31600	15100	67200	5500	130
--	RAX535	35	47	53.4	18	9	27	9	0.85	37.8	47.8	17600	31600	27000	75200	5500	146
RAX440	--	40	52	60	18	6	24	9	0.85	43	54.9	19000	36000	16300	76800	5000	150
--	RAX540	40	52	60.4	18	10	28	9	0.85	42.8	54.8	19000	36000	36800	103200	5000	174
RAX445	--	45	58	65	18	6	24	9	0.85	48	59.9	20200	40800	17400	87200	4500	179
--	RAX545	45	58	65.4	18	10	28	9	0.85	47.8	59.8	20200	40800	39200	114400	4500	206
RAX450	--	50	62	70	21	6	27	11	1.3	53.3	65.7	22600	48800	18000	94400	4000	205
--	RAX550	50	62	70.4	21	10	31	11	1.3	52.8	64.8	22600	48800	40800	125600	4000	232
RAX460	--	60	72	85	21	7	28	11	1.3	63.5	79.2	24800	57600	25200	154400	3500	282
--	RAX560	60	72	85.4	21	11	32	11	1.3	63.5	79.5	24800	57600	56800	204000	3500	327
RAX470	--	70	85	95	21	7	28	11	1.3	75.5	89.2	30000	68800	27600	178400	3000	386
--	RAX570	70	85	95.4	21	11	32	11	1.3	75.5	89.5	30000	68800	61600	236000	3000	435

Needle roller/ roller bearings-RAXPZ 400,RAXF 500



Bearing No.		Dimension (mm)									Load rating (KN)				Speed	Mass
RAX400	RAXF500	Ci	D1	D2	l	h	L	t	r min	Cr	Cor	Ca	Coa	rpm	(g)	



Imp. dist. de retenes rodamientos y afines S.A.

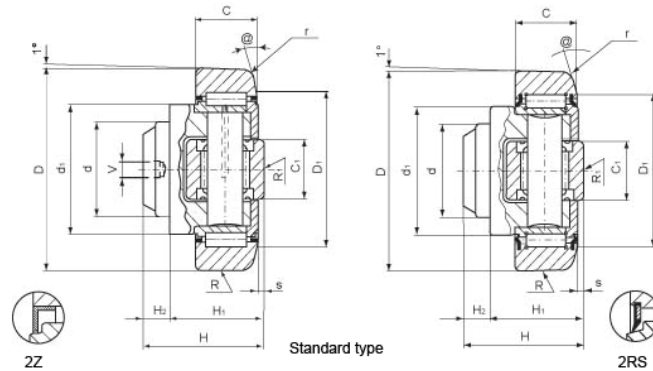
Av. Ramón carcamo 720 Lima 1 - Perú
 Teléfono: (511) 424 7518 / Fax: (511) 423 4099
 Nextel: 831*7611 / 818*3953

Combined needle roller/ball/roller bearings

RAXPZ410	--	10	19	22.4	14	7	21	6	0.35	4800	5700	4000	9800	15500	29
--	RAXZ510	10	19	22.4	14	7.5	21.5	6	0.35	4800	2700	6500	14300	15500	31
RAXPZ412	--	12	21	26.4	14	7	21	6	0.35	5200	6700	5600	14800	13000	38
--	RAXZ512	12	21	26.4	14	8	22	6	0.35	5200	6700	10100	23600	13000	39
RAXPZ415	--	15	24	28.4	14	7	21	6	0.35	7500	9300	6000	16600	11500	40
--	RAXZ515	15	24	28.4	14	8	22	6	0.35	7500	9300	11200	27200	11500	44
RAXPZ417	--	17	26	30.4	16	7	23	8	0.65	9400	13000	6400	18400	10500	48
--	RAXZ517	17	26	30.4	16	8	24	8	0.65	9400	13000	12000	31200	10500	53
RAXPZ420	--	20	30	35.4	18	9	27	9	0.85	11700	18200	9400	31200	9000	79
--	RAXZ520	20	30	35.4	18	11	29	9	0.85	11700	18200	17600	43200	9000	86
RAXPZ425	--	25	37	43	18	9	27	9	0.85	12800	22000	10600	39200	7500	118
--	RAXZ525	25	37	43	18	11	29	9	0.85	12800	22000	20400	63000	7500	131
RAXPZ430	--	30	42	48	18	9	27	9	0.85	16400	27200	11600	45600	6500	133
--	RAXZ530	30	42	48	18	11	29	9	0.85	16400	27200	21200	61600	6500	147
RAXPZ435	--	35	47	54	18	9	27	9	0.85	17600	31600	15100	67200	5500	157
--	RAXZ535	35	47	54	18	12	30	9	0.85	17600	31600	27000	75200	5500	181
RAXPZ440	--	40	52	61	18	9	27	9	0.85	19000	36000	16300	76800	5000	184
--	RAXZ540	40	52	61	18	13	31	9	0.85	19000	36000	36800	103200	5000	218
RAXPZ445	--	45	58	66	18	9	27	9	0.85	20200	40800	17400	87200	4500	216
--	RAXZ545	45	58	66	18	1	31	9	0.85	20200	40800	39200	114400	4500	255
RAXPZ450	--	50	62	71	21	9	30	11	1.3	22600	48800	18000	94400	4000	245
--	RAXZ550	50	62	71	21	13	34	11	1.3	22600	48800	40800	125600	4000	287
RAXPZ460	--	60	72	86	21	11	32	11	1.3	24800	57600	25200	154400	3500	365
--	RAXZ560	60	72	86	21	15	36	11	1.3	24800	57600	56800	204000	3500	423
RAXPZ470	--	70	85	96	21	11	32	11	1.3	30000	68800	27600	178400	3000	479
--	RAXZ570	70	85	96	21	15	36	11	1.3	30000	68800	61600	236000	3000	545



Standard combined roller bearings



Bearing No.		Dimensions																Load rating				OD	Interchange		Mass	
2Z	2RS	d	D	C	H	H1	H2	D1	C1	d1	S	a	r	R	R1	V	Cr	Cor	Ca	Coa	on request	Winkel	Italy	(kg)		
		mm	mm	mm	mm	mm	mm	mm	mm	mm	mm	mm	mm	mm	mm	mm	KN	KN	KN	KN	mm	2Z	2RS	2Z	2RS	
C4.054	C4.0054-62	30	62	20	37,5	30,5	7	50	20	42	2,5	20	3	500	500		31	35,5	11,1	11,5	62,5	4.054	4.0054-62	MR.001	MR.021	0.53
C4.055	C4.0055-70	35	70,1	23	44	36	8	57	22	48	2,5	20	4	500	500	M6X1	45,5	51	14	13	70,4/70,4	4.055	4.0055-70	MR.002	MR.022	0.80
C4.056	C4.0056-78	40	77,7	23	48	36,5	11,5	61	24	53	3	20	4	700	700	M6X1	48	56,8	18	18	78,1/78,5	4.056	4.0056-78	MR.003	MR.023	1.00
C4.058	C4.0058-88	45	88,4	30	57	44	13	68	26	59	3,5	20	3	700	700	M6X1	68	72	23	23	88,9	4.058	4.0058-88	MR.005	MR.025	1.62
C4.061	C4.0061-108	60	107,7	31	69	55	14	82	34	71	4	20	5	1000	1000	M6X1	81	95	31	36	108,2/108,5	4.061	4.0061-108	MR.007	MR.027	2.82
C4.062	C4.0062-123	60	123	37	72,3	56	16,3	92	40	80	5	20	5	1000	1000	M6X1	110	132	43	50		4.062	4.0062-123	MR.009	MR.029	3.89
C4.063	C4.0063-149	60	149	45	78,5	58,5	20	116	50	108	5,5	15	3	1000	1000	M6X1	151	192	68	71		4.063	4.0063-149	MR.010	MR.030	6.52
	C4,0011-149	60	149	45	86	67	19	120	50	108	5,5	15	3	1000	1000	1/8G	151	192	68	71			C4,0011-149	MR.191		
	C4.0037-174	80	174	55	95	71		63	120	7			7			AS	278	518	132	210			C4.0037-174			
	C4.0039-185	80	185	55	95	71		63	120	7			7				278	518	132	210			C4.0039-185			