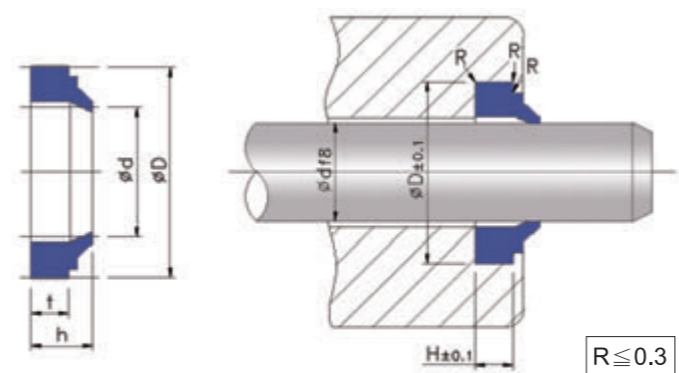




DH-04
Dust Wiper



Surface Roughness
Rod Surface 0.8~1.6 μ mRmax(0.2~0.4 μ mRa)

Mechanical Properties

- Material:L-93
- Specific Gravity(ASTM D792):1.19
- Hardness(ASTM D2240):90 \pm 2
- Tensile Strength(ASTM D412):397
- 100% Modulus(ASTM D412):97
- 300% Modulus(ASTM D412):175
- Compression Set22h/70°C(ASTM D395): 14
- Compression Set22h/100°C(ASTM D395): 27

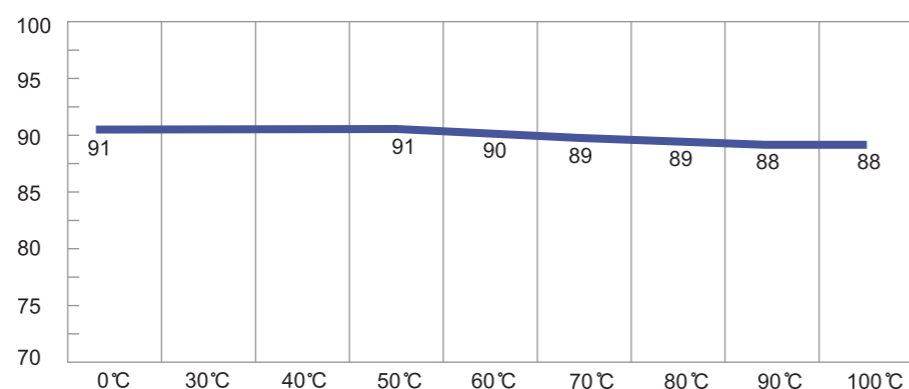
Working Conditions

- Working Speed:0.03~0.5 m/sec
- Working Temp.:-20~100°C

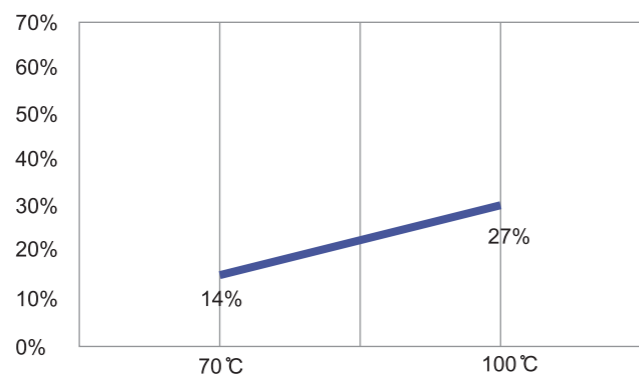
Oil Resistance

- Testing Oil: Hydraulic Oil
- Material:L-93
- Testing Temp. (°C) : 100/120
- Testing Time(Hour): 100/100
- Hardness Variation(Shore A) : 0/-1
- Tensile Strength Variation(%):-12/-21
- Volume Variation(%): +0.04/+0.68

Influence of Temperature on Hardness (Shore A)



Compression Set



Type	Ø d	Ø D	t	h	H
DH-04	12	18	2.5	5	2.5
DH-04	16	24	3.8	7	4
DH-04	18	26	3.8	7	4
DH-04	18	26	4	7	4
DH-04	20	28	4	7	4
DH-04	22	30	4	7	4
DH-04	25	33	4	7	4
DH-04	28	36	4	7	4
DH-04	30	38	4	7	4
DH-04	32	40	4	7	4
DH-04	35	43	4	7	4
DH-04	36	44	4	7	4
DH-04	38	46	4	7	4
DH-04	40	48	4	7	4
DH-04	42	50	4	7	4
DH-04	45	53	4	7	4
DH-04	50	58	4	7	4
DH-04	55	63	4	7	4
DH-04	60	68	4	7	4
DH-04	65	73	4	7	4
DH-04	70	78	4	7	4
DH-04	75	83	4	7	4
DH-04	80	88	4	7	4
DH-04	85	93	4	7	4
DH-04	90	98	4	7	4
DH-04	100	108	4	7	4
DH-04	105	113	4	7	4
DH-04	160	172	5.5	10	5.5
DH-04	230	245	6.5	13	6.5

Type	Ø d	Ø D	t	h	H