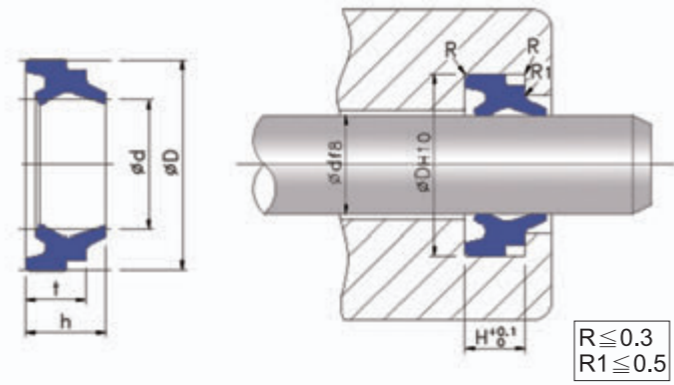




**DH-07**  
Dust Wiper



Surface Roughness  
Rod Surface 0.8~1.6  $\mu$  m Rmax (0.2~0.4  $\mu$  m Ra)

**Mechanical Properties**

- Material: L-93
- Specific Gravity (ASTM D792): 1.19
- Hardness (ASTM D2240): 90 ± 2
- Tensile Strength (ASTM D412): 397
- 100% Modulus (ASTM D412): 97
- 300% Modulus (ASTM D412): 175
- Compression Set 22h/70°C (ASTM D395): 14
- Compression Set 22h/100°C (ASTM D395): 27

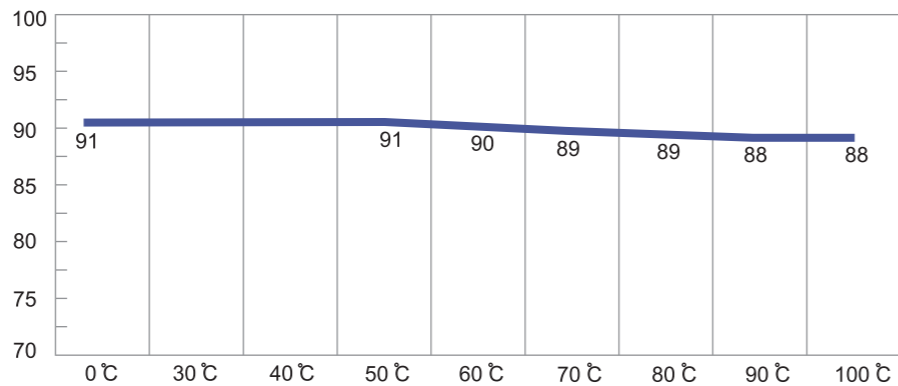
**Working Conditions**

- Working Speed: 0.03~0.5 m/sec
- Working Temp.: -20~100 °C

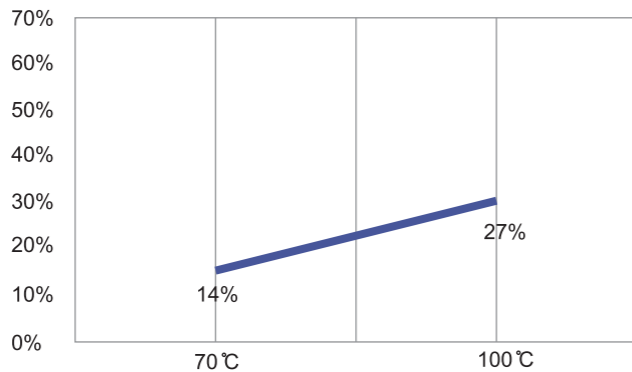
**Oil Resistance**

- Testing Oil: Hydraulic Oil
- Material: L-93
- Testing Temp. (°C): 100/120
- Testing Time (Hour): 100/100
- Hardness Variation (Shore A): 0/-1
- Tensile Strength Variation (%): -12/-21
- Volume Variation (%): +0.04/+0.68

**Influence of Temperature on Hardness (Shore A)**



**Compression Set**



Type	∅ d	∅ D	t	h	H
DH-07	16	24	6	8	6
DH-07	20	28	6	8	6
DH-07	22	30	6	8	6
DH-07	25	33	6	8	6
DH-07	26	34	6	8	6
DH-07	30	38	6	8	6
DH-07	32	40	6	8	6
DH-07	35	43	6	8	6
DH-07	40	48	6	8	6
DH-07	45	53	6	8	6
DH-07	50	58	6	8	6
DH-07	55	63	6	8	6
DH-07	65	73	6	8	6
DH-07	120	132	8.2	11	8.2
DH-07	140	152	8.2	11	8.2
DH-07	150	162	8.2	11	8.2

Type	∅ d	∅ D	t	h	H