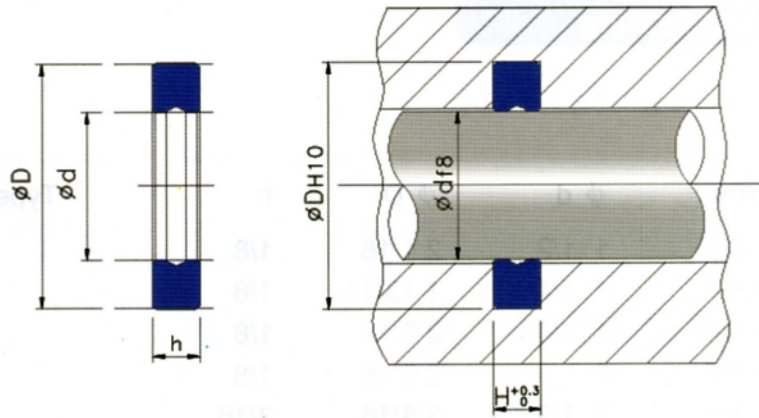


**D-14
Rotary Seal**



Mechanical Properties

- Material: L-98
- Specific Gravity (ASTM D792): 1.20
- Hardness (ASTM D2240): 95 ± 2
- Tensile Strength (ASTM D412): 588
- 100% Modulus (ASTM D412): 123
- 300% Modulus (ASTM D412): 229
- Compression Set 22h/70°C (ASTM D395): 23
- Compression Set 22h/100°C (ASTM D395): 35

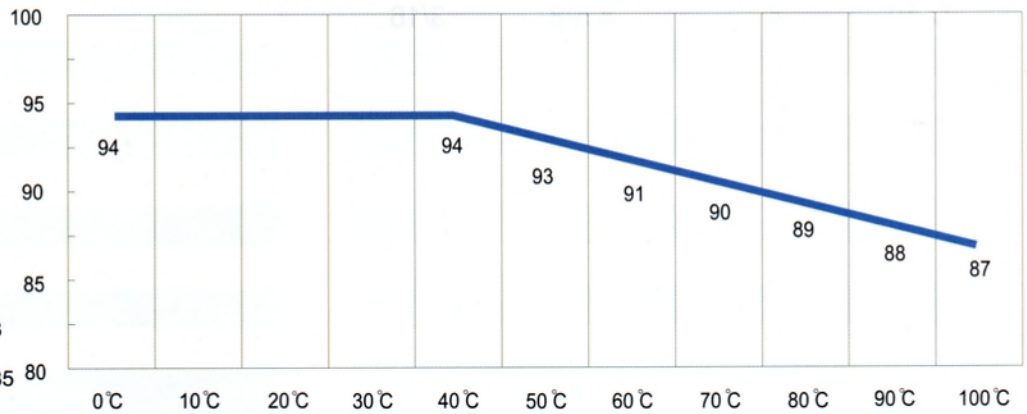
Working Condition

Working Temp.: -20~100°C

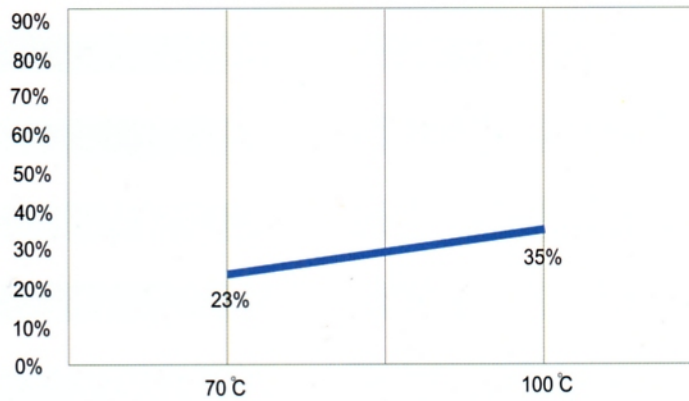
Oil Resistance

- Testing Oil: Hydraulic Oil
- Material: L-98
- Testing Temp. (°C): 100/120
- Testing Time (Hour): 100/100
- Hardness Variation (Shore A): -1/-1
- Tensile Strength Variation (%): -5/-29
- Volume Variation (%): +0.08/+0.1

Influence of Temperature on Hardness (Shore A)



Compression Set



Type	ϕd	ϕD	h
D-14	60	70	5
D-14	70	80	5
D-14	75	85	5
D-14	80	90	5
D-14	90	100	5
D-14	95	105	5
D-14	100	110	5
D-14	105	115	5
D-14	110	120	5
D-14	115	125	5
D-14	120	130	5
D-14	125	135	5
D-14	130	140	5
D-14	150	160	5

Type	ϕd	ϕD	h