



**D-4
Piston/Rod Seal**

Mechanical Properties

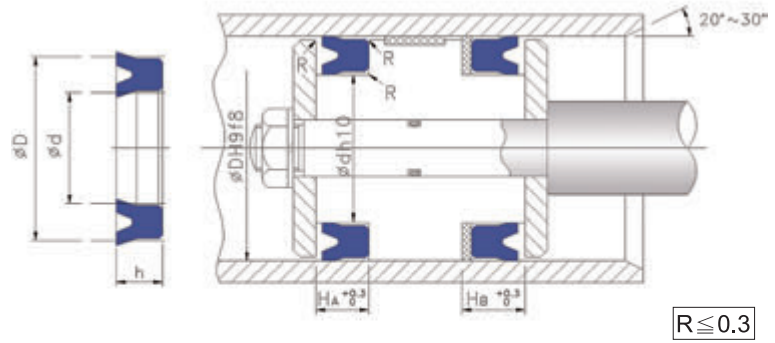
- Material:L-93
- Specific Gravity(ASTM D792):1.19
- Hardness(ASTM D2240):90 ± 2
- Tensile Strength(ASTM D412):397
- 100% Modulus(ASTM D412):97
- 300% Modulus(ASTM D412):175
- Compression Set 22h/70°C(ASTM D395): 14
- Compression Set 22h/100°C(ASTM D395): 27

Working Conditions

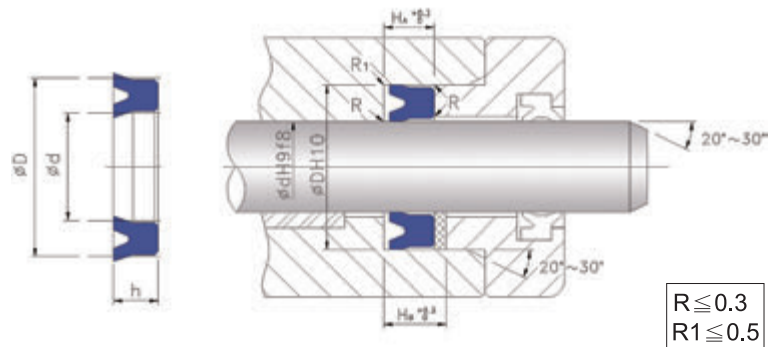
- Max. Working Pressure:35Mpa
- Working Speed:0.03~0.5 m/sec
- Working Temp.: -20~100°C

Oil Resistance

- Testing Oil:Hydraulic Oil
- Material:L-93
- Testing Temp.(°C): 100/120
- Testing Time(Hour): 100/100
- Hardness Variation (Shore A) :0/-1
- Tensile Strength Variation(%): -12/-21
- Volume Variation(%): +0.04/+0.68

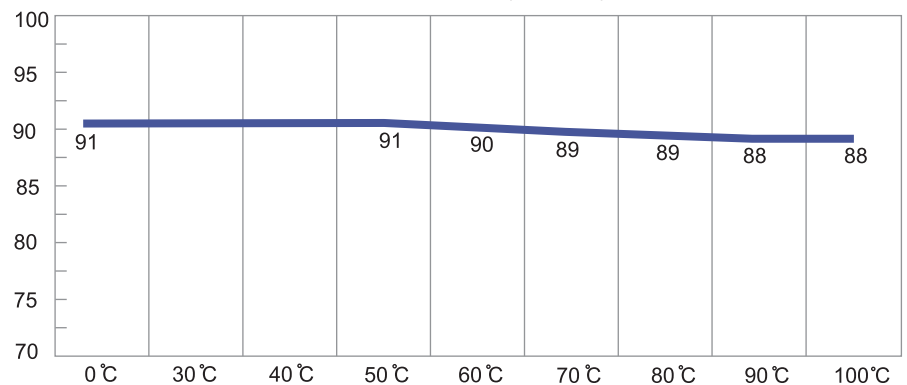


Surface Roughness
Piston Surface 0.4~3.2 μ mRmax(0.1~0.8 μ mRa)

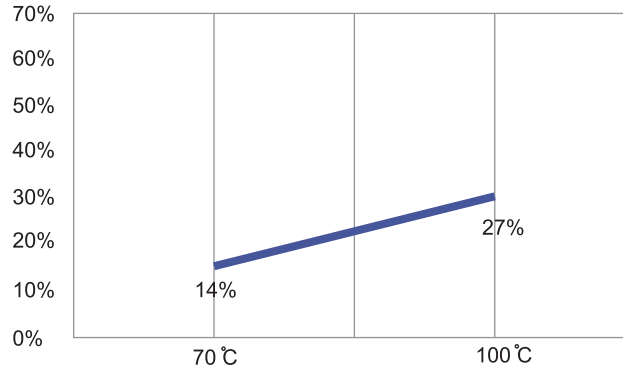


Surface Roughness
Rod Surface 0.8~1.6 μ mRmax(0.2~0.4 μ mRa)

Influence of Temperature on Hardness (Shore A)



Compression Set



Type	Ø d	Ø D	h	HA
D-4	5	12	5	6
D-4	11.2	17.2	11	12
D-4	12	18	6	7
D-4	14	22	11	12
D-4	15.8	20.8	3	4
D-4	115	130	12	13

Type	Ø d	Ø D	h	HA
------	-----	-----	---	----

Type	Ø d	Ø D	h	HA
D-4"	3	4	1/2	0.55
D-4"	3	4	3/8	0.413
D-4"	3 1/4	4 1/2	1/2	0.55
D-4"	3 1/4	4 1/2	3/8	0.413
D-4"	4	5	3/8	0.413
D-4"	4 5/8	5 3/16	1/2	0.55

Type	Ø d	Ø D	h	HA
------	-----	-----	---	----