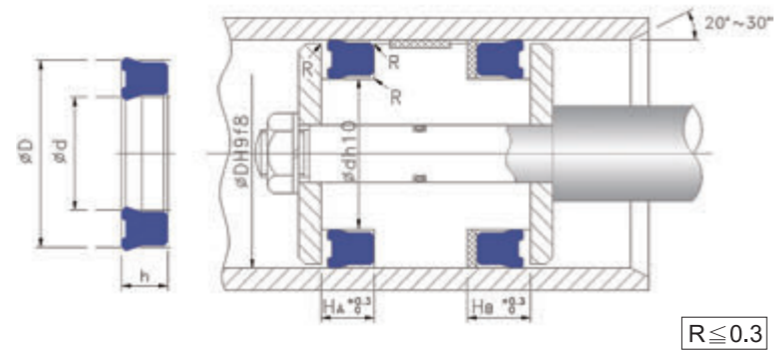
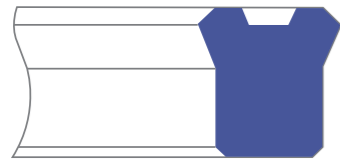
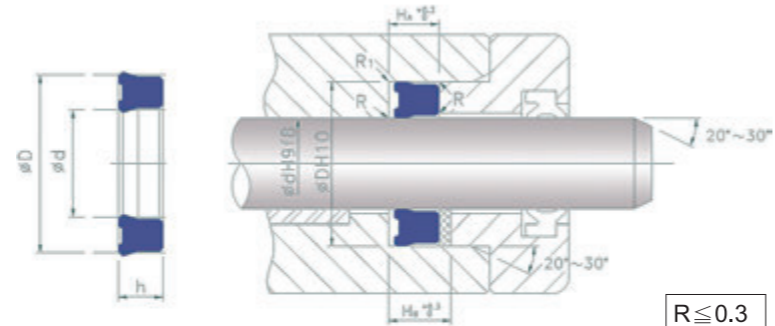


**D-7
Piston/Rod Seal**



Surface Roughness
Piston Surface 0.4~3.2 μ mRmax(0.1~0.8 μ mRa)



Surface Roughness
Rod Surface 0.8~1.6 μ mRmax(0.2~0.4 μ mRa)

**D-7
Piston/Rod Seal**

Mechanical Properties

- Material:L-93
- Specific Gravity(ASTM D792):1.19
- Hardness(ASTM D2240):90 \pm 2
- Tensile Strength(ASTM D412):397
- 100% Modulus(ASTM D412):97
- 300% Modulus(ASTM D412):175
- Compression Set 22h/70°C(ASTM D395):14
- Compersion Set 22h/100°C(ASTM D395):27

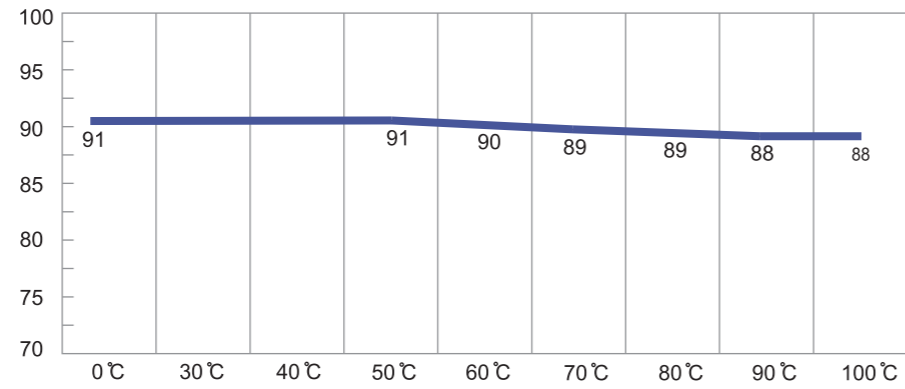
Working Conditions

- Max.Working Pressure:40Mpa
- Working Speed:0.03~0.5 m/sec
- Working Temp.: -20~100°C

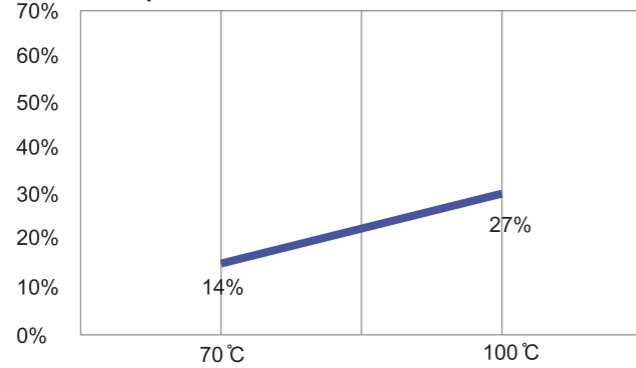
Oil Resistance

- Testing Oil:Hydraulic Oil
- Material:L-93
- Testing Temp. (°C) : 100/120
- Testing Time(Hour): 100/100
- Hardness Variation (Shore A) : 0/-1
- Tensile Strength Variation (%) : -12/-21
- Volume Variation (%) : +0.04/+0.68

Influence of Temperature on Hardness (Shore A)



Compression Set



Type	$\varnothing d$	$\varnothing D$	h	HA
D-7	19	28	4.7	5.3
D-7	25	33	6	7
D-7	25	35	5	6
D-7	28	36	5.6	6.3
D-7	30	38	8	9
D-7	35	44	6	7
D-7	35	45	6	7
D-7	36	44	8	9
D-7	38	45	6	7
D-7	45	52	10	11
D-7	45	53	8	9
D-7	55	63	8	9
D-7	56	66	6.6	7.5
D-7	60	68	12	13
D-7	70	80	12	13
D-7	100	110	12	13
D-7	122	130	8	9

Type	$\varnothing d$	$\varnothing D$	h	HA