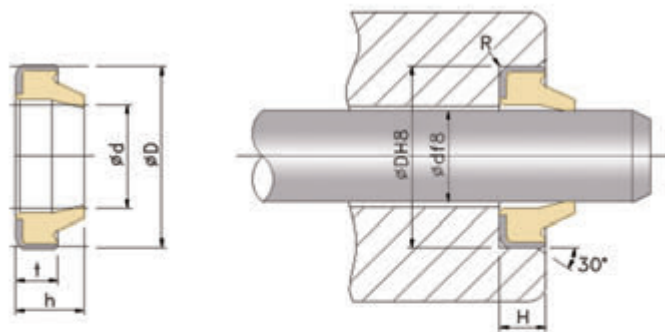


**ME-5
Metal Clad Wiper**



$R \leq 0.3$

Surface Roughness
Rod Surface 0.8~1.6 μ m Rmax(0.2~0.4 μ m Ra)

Mechanical Properties

Material:K-90

Specific Gravity(ASTM D792):1.21

Hardness(ASTM D2240):90 \pm 2

Tensile Strength(ASTM D412): 659

100% Modulus(ASTM D412): 73

300% Modulus(ASTM D412): 183

Compression Set22h/70°C(ASTM D395): 33

Compression Set22h/100°C(ASTM D395): 49

Working Conditions

Working Speed :0.03~1.0 m/sec

Working Temp. : -20~100°C

Oil Resistance

Testing Oil:Hydraulic Oil

Material:K-90

Testing Temp. (°C) : 100/120

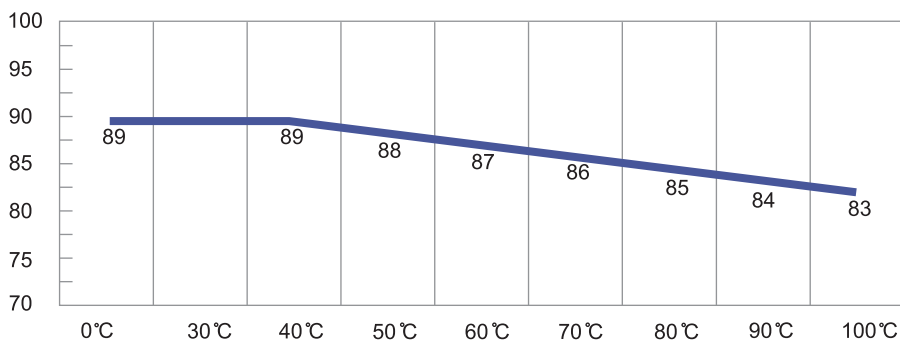
Testing Time(Hour) : 100/100

Hardness Variation (Shore A) : 0/-1

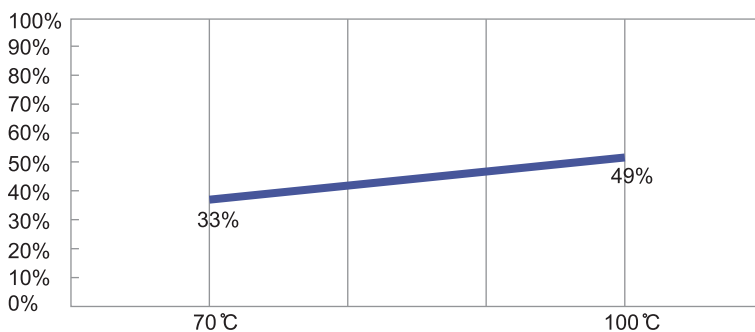
Tensile Strength Variation(%): -22/-42

Volume Variation(%): -0.3/-0.5

Influence of Temperature on Hardness (Shore A)



Compression Set



Type	Ø d	Ø D	t	h	H
ME-5	25.4	34.93	4.75	7.14	4.75
ME-5	31.75	41.28	4.75	7.14	4.75
ME-5	38.1	47.63	4.75	7.14	4.75
ME-5	55	65	5	7	5
ME-5	55	69	8	13	8
ME-5	60	74	8	13	8
ME-5	65	75	5	7	5
ME-5	65	79	8	13	8
ME-5	70	84	8	13	8
ME-5	75	89	8	13	8
ME-5	76.2	85.72	4.75	7.14	4.75
ME-5	80	94	8	13	8
ME-5	85	99	8	13	8
ME-5	90	104	8	13	8
ME-5	95	109	8	13	8
ME-5	100	114	8	13	8
ME-5	105	121	9	15	9
ME-5	110	126	9	15	9
ME-5	115	131	9	15	9
ME-5	120	136	9	15	9
ME-5	280	310	16	22	16

Type	Ø d	Ø D	t	h	H