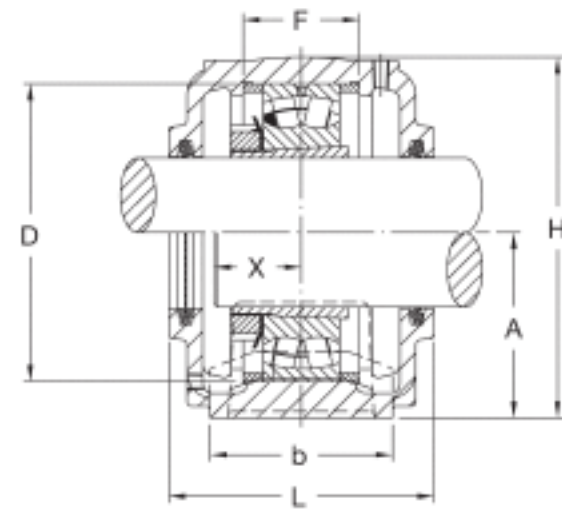
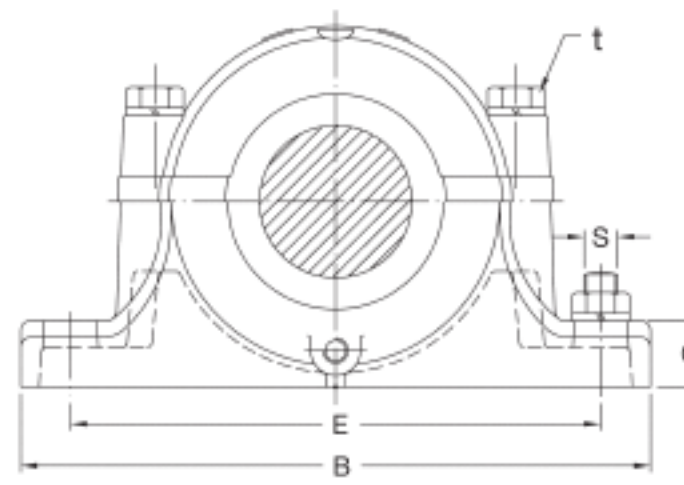
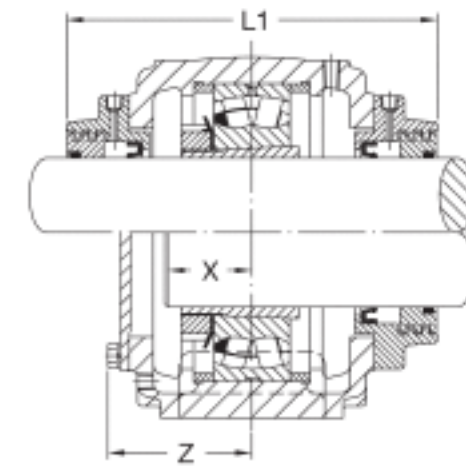


SN-SSN 500 Series

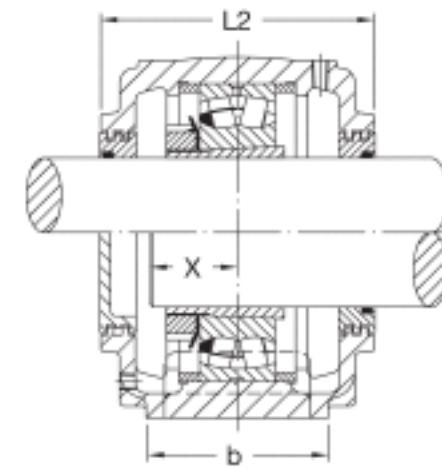
FSQ



TYPE: SN



TYPE: SSN-TAC

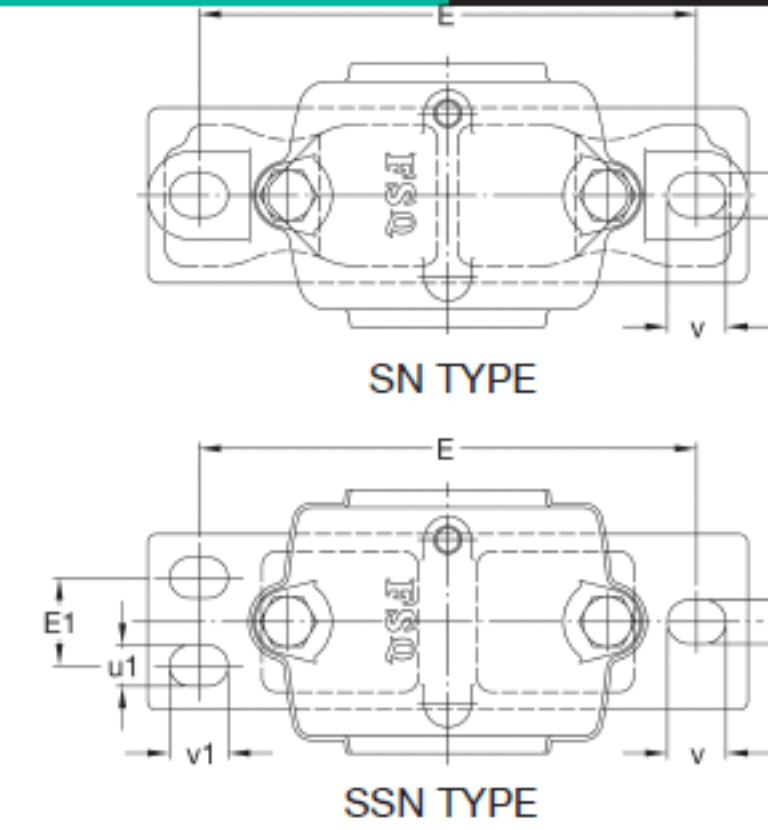
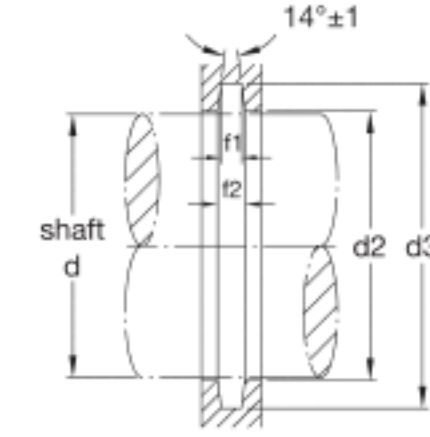


TYPE: SSN-TS

HOUSING NO.	NOMINAL DIMENSIONS (mm)																
	SHAFT DIA. d		D H7	B	b	G	F H13	A h13	L	H	E	E1	L1	X	Z	d2(H12) METRIC	L2
	METRIC	INCH															
SN 505	20	3/4	52	165	46	22	25	40	67	75	130	25	-	22	-	21.5	-
SN 506	25	1	62	185	52	22	30	50	77	90	150	25	-	22	-	26.5	-
SN 507	30	1 1/8	72	185	52	22	33	50	82	95	150	25	-	24	-	31.5	-
SN 508	35	1 1/4	80	205	60	25	33	60	85	110	170	30	-	26	-	36.5	-
SN SSN 509	40	1 1/2	85	205	60	25	31	60	85	112	170	30	-	28	-	41.5	90
SN SSN 510	45	1 3/4	90	205	60	25	33	60	90	115	170	30	-	28	-	46.5	95
SN SSN 511	50	2	100	255	70	28	33	70	95	130	210	35	160	30	54	51.5	100
SN SSN 512	55	2 1/8	110	255	70	30	38	70	105	135	210	35	172	32	62	56.5	110
SN SSN 513	60	2 1/4	120	275	80	30	43	80	110	150	230	40	172	36	62	62	115
SN 514	60	2 1/4	125	275	80	30	44	80	115	155	230	40	-	36	-	62	120
SN SSN 515	65	2 1/2	130	280	80	30	41	80	115	155	230	40	182	38	68	67	120
SN SSN 516	70	2 3/4	140	315	90	32	43	95	120	175	260	50	184	40	68	72	125
SN SSN 517	75	3	150	320	90	32	46	95	125	185	260	50	184	42	70	77	130
SN SSN 518	80	3 1/4	160	345	100	35	62.4	100	145	195	290	50	204	50	81	82	150
SN SSN 519	85	-	170	345	100	35	53	112	140	210	290	50	-	-	-	87	152
SN SSN 520	90	3 1/2	180	380	110	40	70.3	112	160	218	320	60	224	54	90	92	165
SN SSN 522	100	4	200	410	120	45	80	125	175	240	350	70	232	60	92	102	180
SN SSN 524	110	4 1/4	215	410	120	45	86	140	185	270	350	70	248	64	95	113	190
SN SSN 526	115	4 1/2	230	445	130	50	90	150	190	290	380	70	268	64	100	118	195
SN SSN 528	125	5	250	500	150	50	98	150	205	305	420	80	286	70	108	128	210
SN SSN 530	135	5 1/4	270	530	160	60	106	160	220	325	450	90	304	76	113	138	225
SN SSN 532	140	5 1/2	290	550	160	60	114	170	235	345	470	90	320	80	122	143	240
SN 534	150	6	310	635	170	70	120	180	240	370	525	-	-	80	-	153	-

FSQ

SN-SSN 500 Series



NOTES:

Foot of standard housing SSN type is solid without mounting holes or can be precast as 2-bolt (with prefix T) or 4-bolt mounting holes (with prefix F).

Taconite seal will be supplied as optional for perfect arrangement in severe operating conditions to prevent contamination from fine abrasive dust.

ZF rubber seals can be supplied upon request.

ds H12	t	f1 H13	f2	2 Bolt		4 Bolt		S		WEIGHT (kg)		BEARING NO.		ADAPTER SLEEVE		LOCATING RING		FELT SEAL
				u	v	u1	v1	2 Bolt	4 Bolt	SN5	SSN5	SELF-ALIG. BALL	SPHERICAL ROLLER	METRIC	INCH	NUMBER	QTY	
31	M8	3	4.2	15	20	14	20	M12	M 8	1.5	2.3	1205K 2205K	- 22205K	H205 H305	HE205 HE305	52x5 52x7	2 1	FS505
38	M8	4	5.4	15	20	14	20	M12	M10	1.74	2.8	1206K 2206K	- 22206K	H206 H306	HE206 HE306	62x7 62x10	2 1	FS506
43	M10	4	5.4	15	20	14	20	M12	M10	1.9	3.2	1207K 2207K	- 22207K	H207 H307	HE207 HE307	72x8 72x10	2 1	FS507
48	M10	4	5.4	15	20	14	20	M12	M10	2.63	3.2	1208K 2208K	- 22208K	H208 H308	HE208 HE308	80x7.5 80x10	2 1	FS508
53	M10	4	5.4	15	20	14	20	M12	M10	2.64	3.7	1209K 2209K	- 22209K	H209 H309	HE209 HE309	85x6 85x8	2 1	FS509
58	M10	4	5.4	15	20	14	20	M12	M10	2.8	3.8	1210K 2210K	- 22210K	H210 H310	HE210 HE310	90x6.5 90x10	2 1	FS510
67	M12	5	6.9	18	23	16	23	M16	M12	4.32	6.2	1211K 2211K	- 22211K	H211 H311	HE211 HE311	100x6 100x8	2 1	FS511
72	M12	5	6.9	18	23	16	23	M16	M12	4.99	6.5	1212K 2212K	- 22212K	H212 H312	HE212 HE312	110x8 110x10	2 1	FS512
77	M12	5	6.8	18	23	16	24	M16	M12	5.64	8.3	1213K 2213K	- 22213K	H213 H313	HE213 HE313	120x10 120x12	2 1	FS513
77	M12	5	6.8	18	23	16	26	M16	M12	7.0	8.96	1214K 2214K	- 22214K	- H314	- HE314	- 125x13	- 1	FS514
82	M12	5	6.8	18	23	16	26	M16	M12	6.19	9.0	1215K 2215K	- 22215K	H215 H315	HE215 HE315	130x8 130x10	2 1	FS515
89	M16	6	8.1	22	27	19	28	M20	M16	8.17	12.1	1216K 2216K	- 22216K	H216 H316	HE216 HE316	140x8.5 140x10	2 1	FS516
94	M16	6	8.1	22	27	19	28	M20	M16	9.37	12.2	1217K 2217K	- 22217K	H217 H317	HE217 HE317	150x9 150x10	2 1	FS517
99	M16	6	8.1	22	27	20	30	M20	M16	11.5	15.2	1218K 2218K	- 22218K	H218 H318	HE218 HE318	160x16.2 160x11.2	2 2	FS518
104	M16	6	8.1	22	27	20	30	M20	M16	13.5	17.7	1219K -	- 22219K	H219 H319	- HE319	170x10.5 170x10	2 1	FS519
111	M20	7	9.3	26	32	23	32	M24	M16	16.3	20.5	2220K -	22220K 23220K	H320 H2320	HE320 HE2320	180x12.1 180x10	2 1	FS520
125	M20	8	10.8	26	32	23	32	M24	M16	25.1	29.2	2222K -	22222K 23222K	H322 H2322	HE322 HE2322	200x13.5 200x10	2 1	FS522
135	M20	8	10.7	26	34	23	32	M24	M16	27.2	33	- -	22224K 23224K	H3124 H2324	HE3124 HE2324	215x14 215x10	2 1	FS524
140	M24	8	10.7	28	35	24	36	M24	M20	35.2	40.9	- -	22226K 23226K	H3126 H2326	HE3126 HE2326	230x13 230x10	2 1	FS526
154	M24	9	12.2	34	44	28	42	M30	M24	43.7	48.6	- -	22228K 23228K	H3128 H2328	HE3128 HE2328	250x15 250x10	2 1	FS528
164	M24	9	12.2	34	42	28	42	M30	M24	45.3	56.2	- -	22230K 23230K	H3130 H2330	HE3130 HE2330	270x16.5 270x10	2 1	FS530
173	M24	10	13.7	32	44	28	42	M30	M24	50.75	68.5	- -	22232K 23232K	H3132 H2332	HE3132 HE2332	290x17 290x10	2 1	FS532
183	M24	10	13.7	34	44	28	42	M30	M24	73.6	-	- -	22234K 23234K	H3134 H2334	HE3134 HE2334	310x17 310x10	2 1	FS534