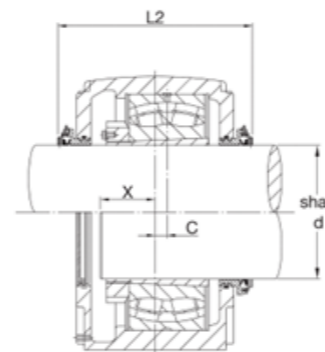
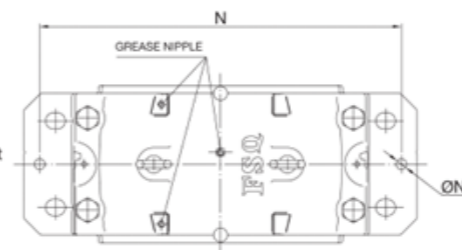


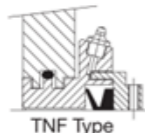
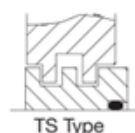
Labyrinth Seals TS design
Standard on SNK Housings



Taconite Seals TNF design
Optional on SNK Housings

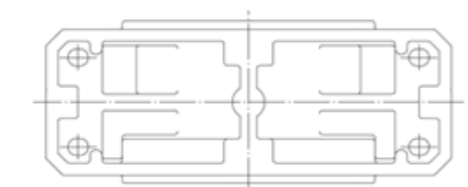
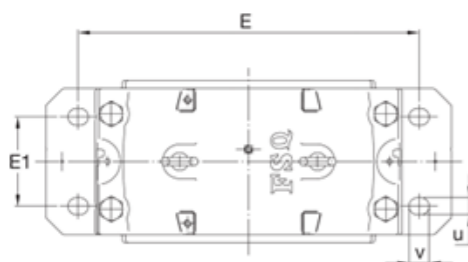


Dowel pins (OPTIONAL)
SNK3000 housings are designed for loads acting vertically to the housing base support. If they are to be subjected to moderate or heavy loads acting parallel to the base support, a stop should be provided, or the housing should be pinned to its support. Recommendations for the position and size of holes to take dowel pins are given in table.



TS Type

TNF Type



HOUSING NO.	SHAFT DIA. d	DIMENSIONS mm																			OPTIONAL	BOLT DIA.	SPHERICAL ROLLER BEARING	ADAPTER SLEEVE	WEIGHT	LOCATING RING		
		D H7	d1 H12	d2 H12	d3 H12	A H13	B	F	E	E1	u	v	b	G	H	L	L1	L2	C	X	N	N1	S		METRIC	kg	NUMBER	QTY
SNK3036	160	280	181.2	196.4	205.2	170	510	108	430	100	28	34	180	70	333	230	240	305	14	72	470	20	24	23036K	H3036	69.5	280x17	2
SNK3038	170	290	191.4	206.4	215.4	180	530	115	450	110	28	34	190	75	353	240	250	315	15	73	490	20	24	23038K	H3038	81	290x10	4
SNK3040	180	310	201.4	216.4	225.4	190	560	122	480	120	28	34	210	80	375	260	270	335	10	78	520	20	24	23040K	H3040	97.5	310x10	4
SNK3044	200	340	221.4	236.4	245.4	210	610	130	510	130	35	42	230	85	411	280	290	355	10	91	560	20	30	23044K	H3044	118	340x10	4
SNK3048	220	360	241.4	256.4	265.4	220	640	140	540	140	35	42	240	90	434	290	300	385	12	97	590	20	30	23048K	H3048	138	360x12	4
SNK3052	240	400	261.6	276.6	285.6	240	700	148	600	150	35	42	260	95	474	310	315	400	12	103	650	20	30	23052K	H3052	189	400x22	2
SNK3056	260	420	281.6	296.6	305.6	260	770	166	650	160	42	50	280	100	516	320	330	415	13	108	720	20	36	23056K	H3056	221	420x10	6
SNK3060	280	460	301.6	316.8	325.6	280	790	168	670	160	42	50	280	105	551	320	330	415	16	118	740	20	36	23060K	H3060	260	460x25	2
SNK3064	300	480	321.8	336.8	345.8	300	830	181	710	190	42	50	310	110	591	350	360	445	22	121	770	25	36	23064K	H3064	300	480x10	6
SNK3068	320	520	342.4	357.4	366.4	320	880	197	750	200	42	50	330	115	631	370	380	465	23	130	830	25	36	23068K	H3068	339	520x16	4
SNK3072	340	540	362.4	377.4	386.4	320	950	198	750	200	42	50	330	115	631	370	380	465	23	130	830	25	36	23172K	H3072	342	540x16	4
SNK3076	360	560	382.4	397.4	406.4	340	1000	180	810	220	42	50	360	120	675	400	410	495	24	131	880	25	36	23076K	H3076	427	-	-
SNK3080	380	600	402.8	417.8	426.8	350	1040	192	840	220	42	50	360	120	695	400	410	495	30	145	920	30	36	23080K	H3080	450	-	-
SNK3084	400	620	422.8	437.8	446.8	360	1120	194	870	220	42	50	360	120	715	400	410	495	30	146	960	30	36	23084K	H3084	483	-	-

For SNK3088 to 30/500 inclusive, please consult FSQ