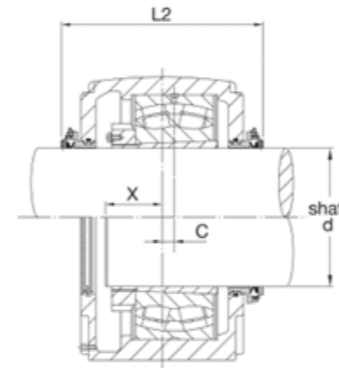
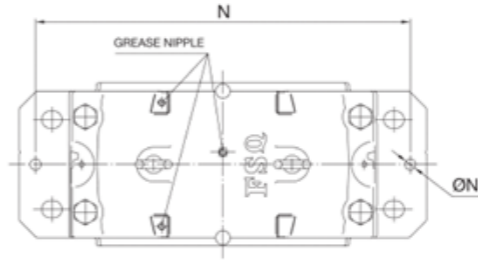


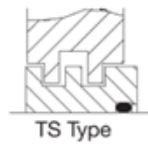
Labyrinth Seals TS design  
Standard on SNK Housings



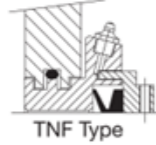
Taconite Seals TNF design  
Optional on SNK Housings



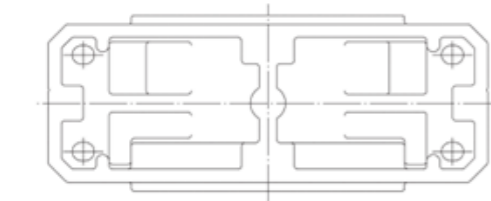
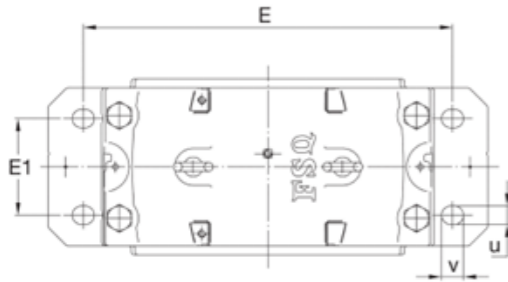
Dowel pins (OPTIONAL)  
SNK3100 housings are designed for loads acting vertically to the housing base support. If they are to be subjected to moderate or heavy loads acting parallel to the base support, a stop should be provided, or the housing should be pinned to its support. Recommendations for the position and size of holes to take dowel pins are given in table.



TS Type



TNF Type



For SNK3184 to SNK3196 inclusive, please consult FSQ

HOUSING NO.	SHAFT DIA. d	DIMENSIONS mm																			OPTIONAL Dowel pins		BOLT DIA. S	SPHERICAL ROLLER BEARING	ADAPTER SLEEVE METRIC	WEIGHT kg	LOCATING RING	
		D H7	d1 H12	d2 H12	d3 H12	A H13	B	F	E	E1	u	v	b	G	H	L	L1	L2	C	X	N	N1					NUMBER	QTY
SNK3134	150	280	171.2	186.3	195.2	170	510	108	430	100	28	34	180	70	333	230	240	300	14	78	470	20	24	23134K	H3134	69.9	280x10	2
SNK3136	160	300	181.2	196.4	205.2	180	530	116	450	110	28	34	190	75	353	240	250	315	15	83	490	20	24	23136K	H3136	81.19	300x10	2
SNK3138	170	320	191.4	206.4	215.4	190	560	124	480	120	28	34	210	80	375	260	270	335	10	88	520	20	24	23138K	H3138	98	320x10	2
SNK3140	180	340	201.4	216.4	225.4	210	610	132	510	130	35	42	230	85	411	280	290	355	10	93	560	20	30	23140K	H3140	122	340x10	2
SNK3144	200	370	221.4	236.4	245.4	220	640	140	540	140	35	42	240	90	434	290	300	365	12	100	590	20	30	23144K	H3144	140	370x10	2
SNK3148	220	400	241.4	256.4	265.4	240	700	148	600	150	35	42	260	95	474	310	315	400	12	106	650	20	30	23148K	H3148	189	400x10	2
SNK3152	240	440	261.6	276.6	285.6	260	770	164	650	160	42	50	280	100	516	320	330	415	13	116	720	20	36	23152K	H3152	222.7	440x10	2
SNK3156	260	460	281.6	296.6	305.6	280	790	166	670	160	42	50	280	105	551	320	360	415	16	119	740	20	36	23156K	H3156	261.5	460x10	2
SNK3160	280	500	301.6	316.8	325.6	300	830	180	710	190	42	50	310	110	591	350	380	445	22	138	770	25	36	23160K	H3160	301	500x10	2
SNK3164	300	540	321.8	336.8	345.8	320	880	196	750	200	42	50	330	115	631	370	410	462	23	149	830	25	36	23164K	H3164	346	540x10	2
SNK3168	320	580	342.4	357.4	366.4	340	950	210	810	220	42	50	360	120	675	400	410	492	24	172	880	25	36	23168K	H3168	429.5	-	-
SNK3172	340	600	362.4	377.4	386.4	350	1000	212	840	220	42	50	360	120	695	400	410	492	30	176	920	30	36	23172K	H3172	454	-	-
SNK3176	360	620	382.4	397.4	406.4	360	1040	214	870	220	42	50	360	120	715	400	410	492	30	179	960	30	36	23176K	H3176	487	-	-
SNK3180	380	650	402.8	417.8	426.8	380	1120	220	950	240	48	60	390	125	775	400	440	522	30	187	1020	35	42	23180K	H3180	595	-	-