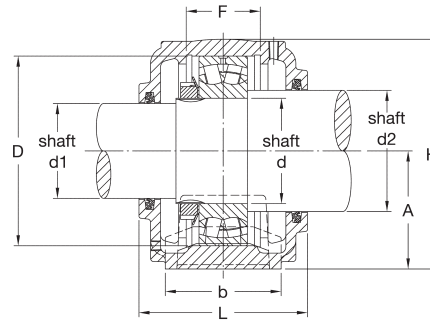
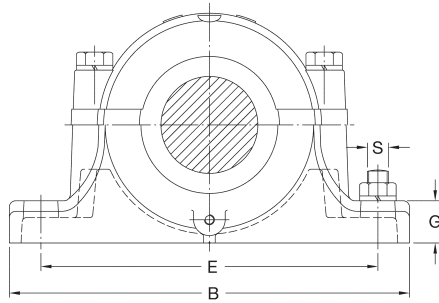


# SNZ-SSNZ 200 Series

**FSQ**



HOUSING NO.	SHAFT DIA.			DIMENSIONS mm										BEARING NO.		LOCK NUT	LOCK WASHER	ZF SEAL		LOCATING RING		END COVER for d1
	d	d1	d2	D H7	B	b	G	F H13	A h13	L	H	E	BOLT S	SELF-ALIG. BALL	SPHERICAL ROLLER			d1	d2	NUMBER	QTY	
SNZ 205	25	20	30	52	165	46	22	25	40	67	75	130	M12	1205 2205	- 22205	AN05	AW05	ZF5	ZF7	52x5 52x7	2 1	505NA
SNZ 206	30	25	35	62	185	52	22	30	50	77	90	150	M12	1206 2206	- 22206	AN06	AW06	ZF6	ZF8	62x7 62x10	2 1	506NA
SNZ 207	35	30	45	72	185	52	22	33	50	82	95	150	M12	1207 2207	- 22207	AN07	AW07	ZF7	ZF10	72x8 72x10	2 1	507NA
SNZ 208	40	35	50	80	205	60	25	33	60	85	110	170	M12	1208 2208	- 22208	AN08	AW08	ZF8	ZF11	80x7.5 80x10	2 1	508NA
SNZ SSNZ 209	45	40	55	85	205	60	25	31	60	85	112	170	M12	1209 2209	- 22209	AN09	AW09	ZF9	ZF12	85x6 85x8	2 1	509NA
SNZ SSNZ 210	50	45	60	90	205	60	25	33	60	90	115	170	M12	1210 2210	- 22210	AN10	AW10	ZF10	ZF13	90x6.5 90x10	2 1	510NA
SNZ SSNZ 211	55	50	65	100	255	70	28	33	70	95	130	210	M16	1211 2211	- 22211	AN11	AW11	ZF11	ZF15	100x6 100x8	2 1	511NA
SNZ SSNZ 212	60	55	70	110	255	70	30	38	70	105	135	210	M16	1212 2212	- 22212	AN12	AW12	ZF12	ZF16	110x8 110x10	2 1	512NA
SNZ SSNZ 213	65	60	75	120	275	80	30	43	80	110	150	230	M16	1213 2213	- 22213	AN13	AW13	ZF13	ZF17	120x10 120x12	2 1	513NA
SNZ SSNZ 214	70	60	80	125	275	80	30	44	80	115	155	230	M16	1214 2214	- 22214	AN14	AW14	ZF13	ZF18	125x10 125x13	2 1	513NA
SNZ SSNZ 215	75	65	85	130	280	80	30	41	80	115	155	230	M16	1215 2215	- 22215	AN15	AW15	ZF15	ZF19	130x8 130x10	2 1	515NA
SNZ SSNZ 216	80	70	90	140	315	90	32	43	95	120	175	260	M20	1216 2216	- 22216	AN16	AW16	ZF16	ZF20	140x8.5 140x10	2 1	516NA
SNZ SSNZ 217	85	75	95	150	320	90	32	46	95	125	185	260	M20	1217 2217	- 22217	AN17	AW17	ZF17	ZF21	150x9 150x10	2 1	517NA
SNZ SSNZ 218	90	80	100	160	345	100	35	62.4	100	145	195	290	M20	1218 2218	- 22218 23218	AN18	AW18	ZF18	ZF22	160x16.2 160x11.2 160x10	2 2 1	518NA
SNZ SSNZ 219	95	85	110	170	345	100	35	53	112	140	210	290	M20	1219 2219	- 22219	AN19	AW19	ZF19	ZF24	170x10.5 170x10	2 1	519NA
SNZ SSNZ 220	100	90	115	180	380	110	40	70.3	112	160	218	320	M24	2220 -	22220 23220	AN20	AW20	ZF20	ZF26	180x12.1 180x10	2 1	520NA
SNZ SSNZ 222	110	100	125	200	410	120	45	80	125	175	240	350	M24	2222 -	22222 23222	AN22	AW22	ZF22	ZF28	200x13.5 200x10	2 1	522NA
SNZ SSNZ 224	120	110	135	215	410	120	45	86	140	185	270	350	M24		22224 23224	AN24	AW24	ZF24	ZF30	215x14 215x10	2 1	524NA
SNZ SSNZ 226	130	115	145	230	445	130	50	90	150	190	290	380	M24		22226 23226	AN26	AW26	ZF26	ZF33	230x13 230x10	2 1	526NA
SNZ SSNZ 228	140	125	155	250	500	150	50	98	150	205	305	420	M30		22228 23228	AN28	AW28	ZF28	ZF35	250x15 250x10	2 1	528NA
SNZ SSNZ 230	150	135	165	270	530	160	60	106	160	220	325	450	M30		22230 23230	AN30	AW30	ZF30	ZF37	270x16.5 270x10	2 1	530NA
SNZ SSNZ 232	160	140	175	290	550	160	60	114	170	235	345	470	M30		22232 23232	AN32	AW32	ZF32	ZF39	290x17 290x10	2 1	532NA

Notes: For stepped shaft bore, use SNZ 2xx/3xx.  
For same shaft bore, use SN 2xx/3xx.