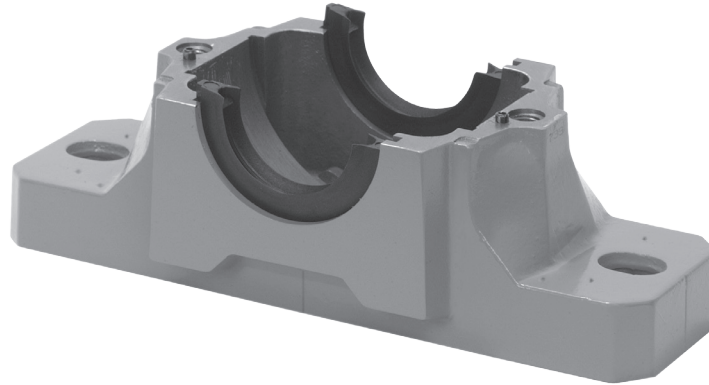


TSNG Seal can fit both metric & imperial shaft.



TSNA-G SEAL	SHAFT DIA. mm	SHAFT DIA. inch		TSNA-G SEAL	SHAFT DIA. mm	SHAFT DIA. inch	
TSNG 507	30	1 1/8	1 3/16	TSNG 607	30	1 1/8	1 3/16
TSNG 508	35	1 5/16	1 3/8	TSNG 608	35	1 5/16	1 3/8
TSNG 509	40	1 1/2	1 9/16	TSNG 609	40	1 1/2	1 9/16
TSNG 510	45	1 11/16	1 3/4	TSNG 610	45	1 11/16	1 3/4
TSNG 511	50	1 15/16	2	TSNG 611	50	1 15/16	2
TSNG 512	55	2 1/8	2 3/16	TSNG 612	55	2 1/8	2 3/16
TSNG 513	60	2 1/4	2 5/16	TSNG 613	60	2 1/4	2 5/16
TSNG 515	65	2 7/16	2 1/2	TSNG 615	65	2 7/16	2 1/2
TSNG 516	70	2 11/16	2 3/4	TSNG 616	70	2 11/16	2 3/4
TSNG 517	75	2 15/16	3	TSNG 617	75	2 15/16	3
TSNG 518	80	3 3/16	3 1/4	TSNG 619	85	3 5/16	3 3/8
TSNG 519	85	3 5/16	3 3/8	TSNG 620	90	3 7/16	3 1/2
TSNG 520	90	3 7/16	3 1/2				
TSNG 522	100	3 15/16	4				
TSNG 524	110	4 3/16	4 1/4				
TSNG 526	115	4 7/16	4 1/2				
TSNG 528	125	4 15/16	5				
TSNG 530	135	5 3/16	5 1/4				
TSNG 532	140	5 7/16	5 1/2				

- 4 halves per kit in a package.