



K68 es un aro guía diseñado para ser utilizado en aplicaciones de vástago.

VENTAJAS DE ESTE PRODUCTO

- Montaje fácil e instantáneo
- Capacidad media de carga
- Previene la presión hidrodinámica gracias a la holgura K
- Muy buena estabilidad geométrica en el rango de temperaturas de trabajo
- Los bordes achaflanados evitan tensiones dentro del alojamiento
- Amplia gama de dimensiones
- Solución de guiado económica

APLICACIÓN

Maquinaria de construcción, grúas, maquinaria de inyección por molde, maquinaria agrícola, cilindros de hidráulica ligera y media.

MATERIAL	CÓDIGO
POM con carga	PM9902

CONDICIONES DE TRABAJO			
MEDIOS	Aceites minerales (DIN 51524)	HFA y HFB	HFC
TEMPERATURA	-30°C +125°C	+5°C +50°C	-30°C +40°C
PRESIÓN DE CONTACTO	≤40 N/mm ²	≤40 N/mm ²	≤40 N/mm ²
VELOCIDAD	≤1.0 m/sec	≤1.0 m/sec	≤1.0 m/sec

Nota: Los valores dados son valores máximos y no deben darse en el sistema simultáneamente

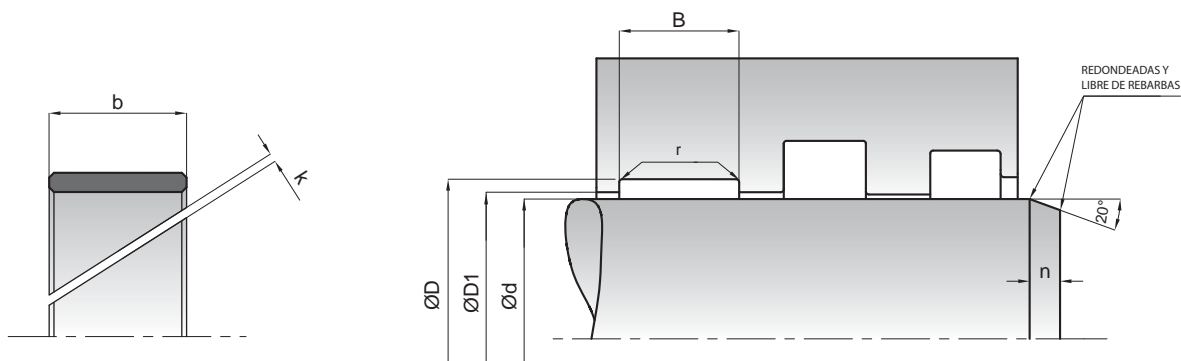
RUGOSIDAD SUPERFICIAL		Ra	Rmax
Superficie de deslizamiento	Ød	≤0.4 µm	≤3.2 µm
Fondo del alojamiento	ØD	≤2.5 µm	≤10 µm
Laterales del alojamiento	B	≤3.2 µm	≤16 µm

MONTAJE

Sencillo montaje manual. Secar la superficie de las bridas antes del montaje. Es muy importante que las herramientas de montaje sean de un material blando y que no tengan aristas vivas. Antes del montaje la junta debe ser lubricada con el aceite del sistema.

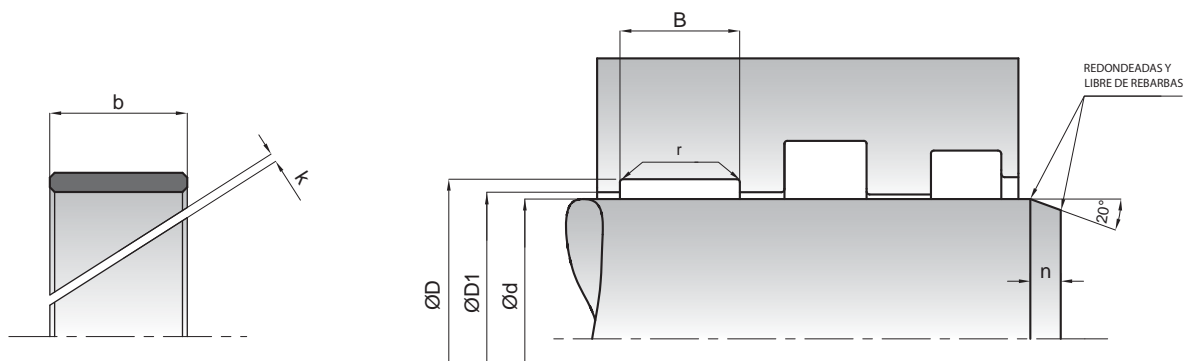
NOTAS

Durante el diseño del cilindro, el aro guía K68 debe colocarse en el lado lubricado. K68 no se puede utilizar en aplicaciones sin lubricación. La capacidad de carga en la superficie de contacto puede disminuir debido al incremento de temperatura.



KASTAŞ NO	d (f8)	D (H8)	b	B (-0/+0.2)	D1 (H9)	r	k
K68-016	16	20	9.4	9.6	16.4	0.2	1
K68-016/1	16	19	5.8	6	16.4	0.2	1
K68-018	18	22	9.4	9.6	18.4	0.2	1
K68-020	20	24	9.4	9.6	20.4	0.2	1
K68-020/2	20	26	9.5	9.7	20.4	0.2	1
K68-020/1	20	26	3.8	4	20.4	0.2	1
K68-022	22	26	9.4	9.6	22.5	0.2	1
K68-022/1	22	25	4	4.2	22.5	0.2	1
K68-025	25	31	9.4	9.6	25.5	0.2	1
K68-025/1	25	29	9.4	9.6	25.5	0.2	1
K68-025/2	25	30	5.4	5.6	25.5	0.2	1
K68-026	26	32	9.8	10	26.5	0.2	1
K68-028	28	32	9.5	9.7	28.5	0.2	1
K68-028/2	28	33	6.2	6.4	28.5	0.2	1
K68-028/3	28	33	5.5	5.7	28.5	0.2	1
K68-028/4	28	34	9.5	9.7	28.5	0.2	1
K68-030	30	35	15	15.2	30.5	0.2	1
K68-030/1	30	34	9.5	9.7	30.5	0.2	1
K68-030/2	30	36	9.3	9.5	30.5	0.2	1
K68-030/3	30	35	9.5	9.7	30.5	0.2	1
K68-030/4	30	35	8	8.2	30.5	0.2	1
K68-030/5	30	35	5.4	5.6	30.5	0.2	1
K68-032	32	36	9.5	9.7	32.5	0.2	1
K68-032/1	32	38	9.4	9.6	32.5	0.2	1
K68-035	35	40	15	15.2	35.5	0.2	1
K68-035/1	35	39	9.5	9.7	35.5	0.2	1
K68-035/2	35	40	9.7	9.9	35.5	0.2	1
K68-035/3	35	41	9.4	9.6	35.5	0.2	1
K68-035/4	35	40	5.4	5.6	35.5	0.2	1
K68-035/6	35	40	9.5	9.7	35.5	0.2	1
K68-035/8	35	39	6.3	6.5	35.5	0.2	1
K68-036	36	40	9.5	9.7	36.5	0.2	1
K68-036/1	36	42	9.6	9.8	36.5	0.2	1
K68-036/3	36	41	5.4	5.6	36.5	0.2	1
K68-036/2	36	41	9.5	9.7	36.5	0.2	1
K68-038/2	38	42	4	4.2	38.5	0.2	1
K68-038	38	42	9.4	9.6	38.5	0.2	1
K68-040	40	45	15	15.2	40.5	0.2	1.5
K68-040/1	40	44	9.5	9.7	40.5	0.2	1.5
K68-040/2	40	46	9.6	9.8	40.5	0.2	1.5
K68-040/3	40	45	9.5	9.7	40.5	0.2	1.5
K68-040/8	40	44	6.3	6.5	40.5	0.2	1.5
K68-040/5	40	45	4.8	5	40.5	0.2	1.5
K68-040/6	40	45	5.4	5.6	40.5	0.2	1.5
K68-040/4	40	45	20	20.2	40.5	0.2	1.5
K68-040/7	40	46	12.8	13	40.5	0.2	1.5
K68-040/9	40	45	9.6	9.8	40.5	0.2	1.5
K68-044.45	44.45	50.8	19.05	19.25	44.95	0.2	1.5
K68-045	45	50	15	15.2	45.5	0.2	1.5
K68-045/1	45	51	9.5	9.7	45.5	0.2	1.5

Para medidas fuera de stock consulten a nuestro departamento comercial.



KASTAŞ NO	d (f8)	D (H8)	b	B (-0/+0.2)	D1 (H9)	r	k
K68-045/2	45	50	9.5	9.7	45.5	0.2	1.5
K68-045/3	45	51	12.5	12.7	45.5	0.2	1.5
K68-045/5	45	50	5.4	5.6	45.5	0.2	1.5
K68-048	48	54	9.6	9.8	48.5	0.2	1.5
K68-050	50	55	15	15.2	50.5	0.2	1.5
K68-050/1	50	56	9.5	9.7	50.5	0.2	1.5
K68-050/2	50	56	12.5	12.7	50.5	0.2	1.5
K68-050/3	50	55	8	8.2	50.5	0.2	1.5
K68-050/4	50	55	20	20.2	50.5	0.2	1.5
K68-050/5	50	55	9.5	9.7	50.5	0.2	1.5
K68-050/6	50	55	5.4	5.6	50.5	0.2	1.5
K68-050.8	50.8	57.15	19.05	19.25	51.3	0.2	1.5
K68-055	55	60	15	15.2	55.5	0.2	2
K68-055/1	55	61	9.5	9.7	55.5	0.2	2
K68-055/2	55	60	8	8.2	55.5	0.2	2
K68-055/3	55	60	20	20.2	55.5	0.2	2
K68-055/4	55	61	12.5	12.7	55.5	0.2	2
K68-055/5	55	60	9.5	9.7	55.5	0.2	2
K68-055/6	55	60	5.4	5.6	55.5	0.2	2
K68-055/7	55	60	5.6	5.8	55.5	0.2	2
K68-055/8	55	60	9.7	9.9	55.5	0.2	2
K68-056	56	62	12.5	12.7	56.5	0.2	2
K68-056/1	56	60	9.6	9.8	56.5	0.2	2
K68-056/2	56	61	9.5	9.7	56.5	0.2	2
K68-056/3	56	60	7.9	8.1	56.5	0.2	2
K68-056/4	56	62	20	20.2	56.5	0.2	2
K68-058	58	63	9.5	9.7	58.5	0.2	2
K68-060	60	65	15	15.2	60.5	0.2	2
K68-060/1	60	66	12.5	12.7	60.5	0.2	2
K68-060/2	60	65	9.5	9.7	60.5	0.2	2
K68-060/8	60	64	10	10.2	60.5	0.2	2
K68-060/7	60	64	19.3	19.5	60.5	0.2	2
K68-060/6	60	65	5.3	5.5	60.5	0.2	2
K68-060/4	60	65	8	8.2	60.5	0.2	2
K68-060/3	60	65	20	20.2	60.5	0.2	2
K68-060/5	60	66	9.7	9.9	60.5	0.2	2
K68-063	63	69	12.5	12.7	63.5	0.2	2.5
K68-063/2	63	67	6.3	6.5	63.5	0.2	2.5
K68-063/1	63	68	9.5	9.7	63.5	0.2	2.5
K68-063/4	63	69	30	30.5	63.5	0.2	2.5
K68-065	65	70	15	15.2	65.5	0.2	2.5
K68-065/1	65	71	12.5	12.7	65.5	0.2	2.5
K68-065/2	65	70	5.4	5.6	65.5	0.2	2.5
K68-065/3	65	70	6.8	7	65.5	0.2	2.5
K68-067	67	72	5.4	5.6	67.5	0.2	2.5
K68-069.85	69.85	76.2	19.05	19.25	70.05	0.2	2.5
K68-070	70	75	15	15.2	70.5	0.2	2.5
K68-070/1	70	76	12.5	12.7	70.5	0.2	2.5
K68-070/2	70	75	5.4	5.6	70.5	0.2	2.5

KASTAŞ NO	d (f8)	D (H8)	b	B (-0/+0.2)	D1 (H9)	r	k
K68-070/5	70	75	9.5	9.7	70.5	0.2	2.5
K68-070/4	70	76	10	10.2	70.5	0.2	2.5
K68-070/3	70	76	25	25.5	70.5	0.2	2.5
K68-072/1	72	78	12.3	12.5	72.5	0.2	2.5
K68-075	75	80	15	15.2	75.5	0.2	2.5
K68-075/1	75	81	12.5	12.7	75.5	0.2	2.5
K68-075/2	75	80	8	8.2	75.5	0.2	2.5
K68-075/3	75	80	9.5	9.7	75.5	0.2	2.5
K68-075/4	75	80	5.4	5.6	75.5	0.2	2.5
K68-080	80	85	15	15.2	80.5	0.2	2.5
K68-080/1	80	86	12.5	12.7	80.5	0.2	2.5
K68-080/3	80	85	9.5	9.7	80.5	0.2	2.5
K68-080/2	80	84	9.3	9.5	80.5	0.2	2.5
K68-080/5	80	85	19.8	20	80.5	0.2	2.5
K68-080/4	80	86	24.8	25.3	80.5	0.2	2.5
K68-080/7	80	86	30	30.5	80.5	0.2	2.5
K68-085	85	90	15	15.2	85.5	0.2	2.5
K68-085/1	85	91	12.5	12.7	85.5	0.2	2.5
K68-085/2	85	90	5.5	5.7	85.5	0.2	2.5
K68-085/3	85	90	9.7	9.9	85.5	0.2	2.5
K68-086	86	92	12.5	12.7	86.5	0.2	2.5
K68-090	90	95	15	15.2	90.5	0.2	2.5
K68-090/1	90	96	12.5	12.7	90.5	0.2	2.5
K68-090/2	90	95	9.5	9.7	90.5	0.2	2.5
K68-090/4	90	94	15	15.2	90.5	0.2	2.5
K68-090/3	90	95	5.6	5.8	90.5	0.2	2.5
K68-090/7	90	96	30	30.5	90.5	0.2	2.5
K68-095	95	100	15	15.2	95.5	0.2	2.5
K68-095/1	95	101	12.5	12.7	95.5	0.2	2.5
K68-095/2	95	100	9.5	9.7	95.5	0.2	3.5
K68-095/3	95	100	5.4	5.6	95.5	0.2	3.5
K68-100	100	105	15	15.2	100.5	0.2	3.5
K68-100/1	100	106	12.5	12.7	100.5	0.2	3.5
K68-100/2	100	104	15	15.2	100.5	0.2	2.5
K68-100/3	100	105	9.7	9.9	100.5	0.2	3.5
K68-104	104	110	10	10.2	104.6	0.2	3.5
K68-105	105	110	15	15.2	105.6	0.2	3.5
K68-105/1	105	110	8	8.2	105.6	0.2	3.5
K68-105/2	105	110	9.5	9.7	105.6	0.2	3.5
K68-110	110	116	12.5	12.7	110.6	0.2	3.5
K68-110/1	110	115	9.5	9.7	110.6	0.2	3.5
K68-110/2	110	115	20	20.2	110.6	0.2	3.5
K68-115	115	120	15	15.2	115.6	0.2	3.5
K68-115/1	115	121	12.5	12.7	115.6	0.2	3.5
K68-119	119	125	15	15.2	119.6	0.2	3.5
K68-120	120	125	15	15.2	120.6	0.2	3.5
K68-120/1	120	126	12.5	12.7	120.6	0.2	3.5
K68-120/2	120	125	9.5	9.7	120.6	0.2	3.5
K68-125	125	131	12.5	12.7	125.6	0.2	3.5
K68-125/1	125	130	15	15.2	125.6	0.2	3.5
K68-125/2	125	130	7	7.2	125.6	0.2	3.5
K68-130	130	135	15	15.2	130.6	0.2	3.5
K68-130/1	130	136	12.5	12.7	130.6	0.2	3.5
K68-135	135	140	9.5	9.7	135.6	0.2	3.5
K68-135/1	135	140	15	15.2	135.6	0.2	3.5
K68-140	140	145	15	15.2	140.6	0.2	3.5
K68-140/1	140	146	12.5	12.7	140.6	0.2	3.5
K68-146	146	150	10	10.2	146.6	0.2	3.5
K68-150	150	155	15	15.2	150.6	0.2	3.5
K68-150/1	150	156	12.5	12.7	150.6	0.2	3.5
K68-150/4	150	160	34.8	35.3	150.6	0.2	3.5
K68-150/5	150	155	24.8	25.3	150.6	0.2	3.5
K68-150/6	150	156	19	19.2	150.6	0.2	3.5
K68-155	155	160	15	15.2	155.6	0.2	3.5
K68-160	160	165	15	15.2	160.6	0.2	3.5

