



## Type TG156

### Apply Range

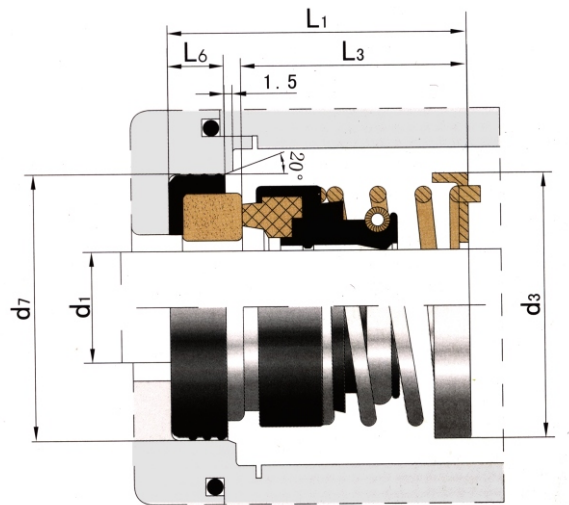
Annular Seal Pressure:  $P \leq 87.02$  PSI

Annular Seal Temperature:  $t = -20^{\circ}\text{C} \sim 80^{\circ}\text{C}$

VelTcity:  $V_g \leq 10\text{m/s}$

### Elastomer Bellows Mechanical Seals

- Single Face
- Unbalanced Seal
- Fixed Rotation Direction



### TG156 Fitting Dimension (mm)

(Specification)	(Size)	d <sub>1</sub> (h6)	d <sub>3</sub> (max)	d <sub>7</sub> (H8)	L <sub>1</sub> (±0.5)	L <sub>3</sub>	L <sub>6</sub>
TG156-8	8	8	16.0	18	18	11	4.5
TG156-9	9	9	20.0	21	23	16	4.5
TG156-10	10	10	20.0	22	23	16	4.5
TG156-11	11	11	20.0	24	23	16	4.5
TG156-12	12	12	22.5	26	24	17	4.5
TG156-13	13	13	22.5	26	24	17	4.5
TG156-14	14	14	24.5	28/30	25	18	4.5
TG156-15	15	15	24.5	28/30	25	18	4.5
TG156-16	16	16	28.5	32	27	19	5.5
TG156-17	17	17	28.5	32	27	19	5.5
TG156-18	18	18	31.5	35	29	21	5.5
TG156-19	19	19	31.5	35	29	21	5.5
TG156-20	20	20	33.5	38	31	23	5.5
TG156-22	22	22	34.5	40	32	24	5.5
TG156-25	25	25	37.5	44	33	24	6.5
TG156-28	28	28	40.5	46	34	25	6.5
TG156-30	30	30	44.5	50	35	26	6.5
TG156-32	32	32	47.5	54	37	28	6.5
TG156-35	35	35	50.5	58	40	30	7
TG156-38	38	38	53.5	60	42	32	7
TG156-40	40	40	56.5	64	43	33	7
TG156-45	45	45	61.5	66	45	35	7
TG156-50	50	50	66.5	72	47	37	7