



Type TG6SB/TGSB

Apply Range

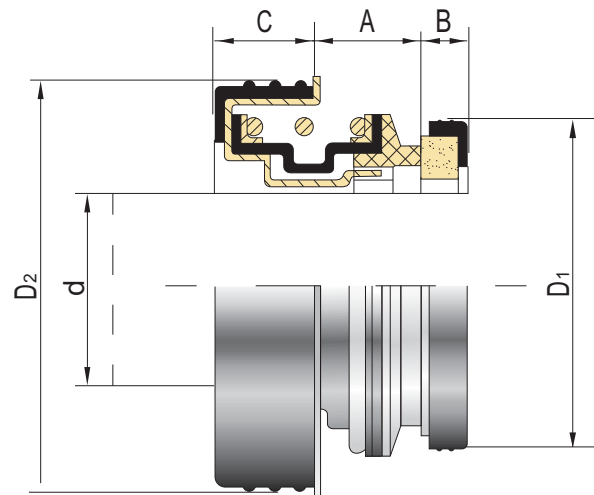
Annular Seal Pressure: $P \leq 36.25$ PSI

Annular Seal Temperature: $t = -20^{\circ}\text{C} \sim 100^{\circ}\text{C}$

Rotation speed: $n \leq 5000$ r/min

Inaction Mechanical Seals

- Inaction seals
- Elastomer Bellows
- Applicable to High Velocity



TG6SB Fitting Dimension (mm)

(Specification)	(Size)	d	D ₁ (H8)	D ₂ (H8)	A (±0.30)	B	C (max)
TG6SB-10	10	10	23	27	4.2	4.1	9
TG6SB-12	12(13)	12	25	32	4.7	5.4	9.5
TG6SB-16	16(17)	16	31	41	6.8	5.4	9.5
TG6SB-20	20	20	35	45	6.8	5.4	10.5
TG6SB-25	25	25	44	52	8.5	7	11.5
TG6SB-30	30	30	48	58	8.5	8	12.5

TGSB Fitting Dimension (mm)

(Specification)	(Size)	d	D ₁ (H8)	D ₂ (H8)	A (±0.30)	B	C (max)
TGSB-10	10	10	23	27	5.5	5	7.5
TGSB-12	12(13)	12	25	30	6	5	8.5
TGSB-17	17(16)	17	31	35	9	7	9.5
TGSB-20	20	20	36	40	12	7	9.5
TGSB-25	25	25	42	50	10.5	8	13.5
TGSB-28	28	28	45	54	10	8	11.5