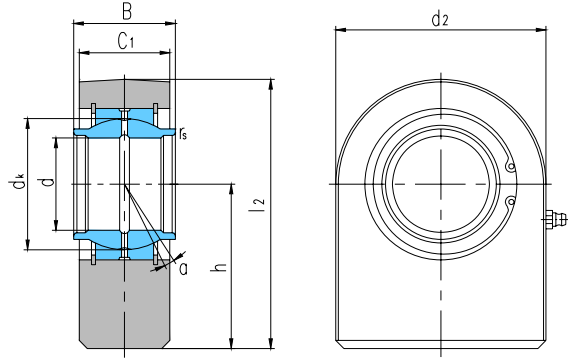




# 杆端关节轴承 Rod ends



滑动摩擦副：钢 / 钢  
Sliding contact surfaces: Steel / Steel

轴承 型号 Bearing number	外形尺寸 Dimensions mm									额定载荷 Load ratings kN		重量 Weight ≈kg
	d	B	dk	C <sub>1</sub>	d <sub>2</sub>	h	l <sub>2</sub>	r <sub>s</sub>	α° ≈	动载荷 Dynamic	静载荷 Static	
SFEW20ES	20	20	29	19	50	38	63	0.3	4	30	67	0.37
SFEW25ES	25	25	35.5	23	55	45	72.5	0.6	4	48	69	0.54
SFEW32ES	32	32	43	27	70	65	100	0.6	4	65	168	1.16
SFEW40ES	40	40	53	35	100	69	119	0.6	4	99	305	2.57
SFEW50ES	50	50	66	40	123	88	149.5	0.6	4	156	441	4.50
SFEW63ES	63	63	83	50	145	107	179.5	1	4	253	591	7.14
SFEW70ES	70	70	92	55	164	115	197	1	4	313	724	10.86
SFEW80ES	80	80	105	60	180	141	231	1	4	400	804	15.33
SFEW90ES	90	90	115	65	226	150	263	1	4	488	1340	24.00
SFEW100ES	100	100	130	70	250	170	295	1	4	607	1516	33.44
SFEW110ES	110	110	140	80	295	185	332.5	1	4	654	2340	49.46

可装自润滑向心关节轴承。Can supply rod ends with maintenance-free spherical plain bearing.