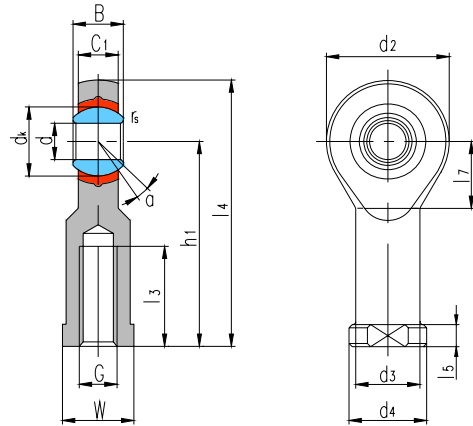






# 杆端关节轴承 Rod ends



滑动摩擦副：钢 / PTFE 塑料

Sliding contact surfaces: Steel / PTFE plastic

轴承 型号 Bearing number	外形尺寸 Dimensions mm/inch															额定载荷 Load ratings kN		重量 Weight ≈kg	
	d	B	d <sub>K</sub>	C <sub>1</sub> max	d <sub>2</sub>	G	h <sub>1</sub>	l <sub>3</sub> min	l <sub>4</sub>	l <sub>5</sub>	l <sub>7</sub>	W	d <sub>3</sub>	d <sub>4</sub>	r <sub>s</sub> min	α° ≈	动载荷 Dynamic		静载荷 Static
SIZP4N	4.83	7.92	11.1	6.35	15.88	10-32	26.97	14.27	34.93	4.75	9	7.92	7.54	10.31	0.3	10	3.3	5.38	0.015
	0.19	0.312	0.437	0.25	0.625		1.062	0.562	1.375	0.187	0.354	0.312	0.297	0.406	0.012				
SIZP6N	6.35	9.53	12.7	7.14	19.05	1/4-28	33.32	19.05	42.85	4.75	10.5	9.53	9.15	11.91	0.3	13	6.8	10.9	0.025
	0.25	0.375	0.5	0.281	0.75		1.312	0.75	1.687	0.187	0.413	0.375	0.36	0.469	0.012				
SIZP7N	7.94	11.10	15.88	8.74	22.23	5/16-24	34.93	19.05	46.02	4.75	11.7	11.1	10.72	12.70	0.3	10	7.6	12.2	0.036
	0.3125	0.437	0.625	0.344	0.875		1.375	0.75	1.812	0.187	0.461	0.437	0.422	0.5	0.012				
SIZP9N	9.53	12.70	18.26	10.31	25.40	3/8-24	41.28	23.80	53.98	6.35	12.3	14.27	13.89	17.45	0.6	9	11.9	18.2	0.061
	0.375	0.5	0.719	0.406	1		1.625	0.937	2.125	0.25	0.484	0.562	0.547	0.687	0.024				
SIZP11N	11.11	14.27	20.62	11.1	28.58	7/16-20	46.02	26.97	60.33	6.35	14	15.88	15.49	19.05	0.6	11	17.4	23.8	0.081
	0.4375	0.562	0.812	0.437	1.125		1.812	1.062	2.375	0.25	0.551	0.625	0.61	0.75	0.024				
SIZP12N	12.7	15.88	23.81	12.7	33.32	1/2-20	53.98	30.15	70.64	6.35	16.2	19.05	18.67	22.23	0.6	9	19.9	28.6	0.133
	0.5	0.625	0.937	0.5	1.312		2.125	1.187	2.781	0.25	0.638	0.75	0.735	0.875	0.024				
SIZP15N	15.88	19.05	28.58	14.27	38.10	5/8-18	63.50	38.10	82.55	7.92	18.2	22.23	21.84	25.40	0.6	11	22.9	36.9	0.190
	0.625	0.75	1.125	0.562	1.5		2.5	1.5	3.25	0.312	0.717	0.875	0.86	1	0.024				
SIZP19N	19.05	22.23	33.32	17.45	44.45	3/4-16	73.03	44.45	95.25	7.92	20.9	25.4	25.02	28.58	0.6	10	30.2	48.5	0.285
	0.75	0.875	1.312	0.687	1.75		2.875	1.75	3.75	0.312	0.823	1	0.985	1.125	0.024				

可提供不同螺纹精度要求的杆端关节轴承。Can supply other rod ends with different accuracy of thread.

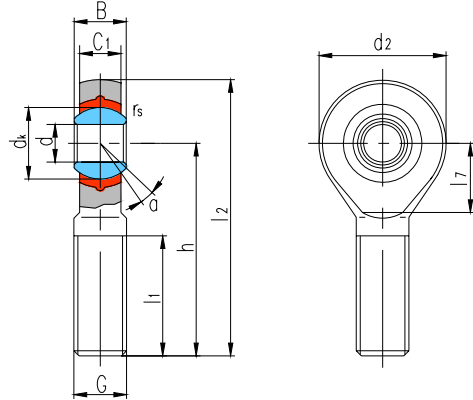
若是左旋螺纹，轴承型号和螺纹标记需加“L”和“LH”，例如：SILZP12N 1/2-20-2BLH。

For left-hand thread, suffix “L” is added to bearings number and suffix “LH” is added to thread sign,

e.g. SILZP12N 1/2-20-2BLH.



# 杆端关节轴承 Rod ends



滑动摩擦副：钢 / PTFE 塑料

Sliding contact surfaces: Steel / PTFE plastic

轴承 型号 Bearing number	外形尺寸 Dimensions mm/inch											额定载荷 Load ratings kN		重量 Weight ≈kg	
	d	B	dk	C <sub>1</sub> max	d <sub>2</sub>	G	h	l <sub>1</sub> min	l <sub>2</sub>	l <sub>7</sub>	r <sub>s</sub> min	α° ≈	动载荷 Dynamic		静载荷 Static
SAZP4N	4.83	7.92	11.1	6.35	15.88	10-32	31.75	19.05	39.70	—	0.3	10	3.3	5.38	0.013
	0.19	0.312	0.437	0.25	0.625		1.25	0.75	1.563		0.012				
SAZP6N	6.35	9.53	12.7	7.14	19.05	1/4-28	39.67	25.40	49.20	—	0.3	13	6.8	10.9	0.022
	0.25	0.375	0.5	0.281	0.75		1.562	1	1.937		0.012				
SAZP7N	7.94	11.10	15.88	8.74	22.23	5/16-24	47.63	31.75	58.72	—	0.3	10	7.6	12.2	0.037
	0.3125	0.437	0.625	0.344	0.875		1.875	1.25	2.312		0.012				
SAZP9N	9.53	12.70	18.26	10.31	25.40	3/8-24	49.23	31.75	61.93	—	0.6	9	11.9	18.7	0.055
	0.375	0.5	0.719	0.406	1		1.938	1.25	2.438		0.024				
SAZP11N	11.11	14.27	20.62	11.1	28.58	7/16-20	53.98	34.93	68.28	—	0.6	11	17.4	23.8	0.078
	0.4375	0.562	0.812	0.437	1.125		2.125	1.375	2.688		0.024				
SAZP12N	12.7	15.88	23.81	12.7	33.32	1/2-20	61.93	38.10	78.59	—	0.6	9	19.9	28.6	0.12
	0.5	0.625	0.937	0.5	1.312		2.438	1.5	3.094		0.024				
SAZP15N	15.88	19.05	28.58	14.27	38.10	5/8-18	66.68	41.28	85.73	18.2	0.6	11	22.9	36.9	0.18
	0.625	0.75	1.125	0.562	1.5		2.625	1.625	3.375		0.717				
SAZP19N	19.05	22.23	33.32	17.45	44.45	3/4-16	73.03	44.45	95.25	20.9	0.6	10	30.2	48.5	0.29
	0.75	0.875	1.312	0.687	1.75		2.875	1.75	3.75		0.823				

可提供不同螺纹精度要求的杆端关节轴承。Can supply other rod ends with different accuracy of thread.

若是左旋螺纹，轴承型号和螺纹标记需加“L”和“LH”，例如：SALZP12N 1/2-20-2ALH。

For left-hand thread, suffix “L” is added to bearings number and suffix “LH” is added to thread sign,

e.g. SALZP12N 1/2-20-2ALH.