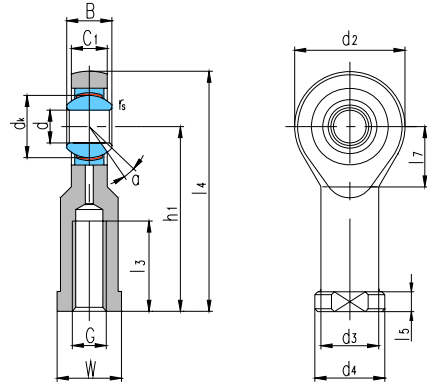




杆端关节轴承 Rod ends



滑动摩擦副：钢 / PTFE 复合材料

Sliding contact surfaces: Steel / PTFE composite material

轴承 型号 Bearing number	外形尺寸 Dimensions																额定载荷 Load ratings		重量 Weight ≈kg
	mm																kN		
	d	B	d _K	C ₁ max	d ₂	G 6H	h ₁	l ₃ min	l ₄	l ₅	l ₇	W	d ₃	d ₄	r _s min	α° ≈	动载荷 Dynamic	静载荷 Static	
SIJK5C	5	8	11.112	7.5	18	M5	27	8	36	4	10	10	9	12	0.3	4	3.6	4.6	0.020
SIJK6C	6	9	12.7	7.5	20	M6	30	9	40	5	11	10	10	13	0.3	9	4.7	5.2	0.025
SIJK8C	8	12	15.88	9.5	24	M8	36	12	48	5	13	13	12.5	16	0.3	12	7.6	8.2	0.047
SIJK10C	10	14	19.05	11.5	30	M10	43	15	58	6.5	16	16	15	19	0.3	10	12	15	0.088
SIJK10C/B1						M10×1.25													
SIJK12C	12	16	22.23	12.5	34	M12	50	18	67	6.5	18	18	17.5	22	0.3	12	14	19	0.14
SIJK12C/B2						M12×1.25													
SIJK14C	14	19	25.4	14.5	38	M14	57	21	76	8	20	21	20	25	0.3	14	19	24	0.20
SIJK14C/B1						M14×1.5													
SIJK16C	16	21	28.58	15.5	42	M16	64	24	85	8	21	24	22	27	0.3	14	23	29	0.25
SIJK16C/B1						M16×1.5													
SIJK18C	18	23	31.75	17.5	46	M18×1.5	71	27	94	10	22.5	27	25	31	0.6	13	29	34	0.35
SIJK20C	20	25	34.93	18.5	50	M20×1.5	77	30	102	10	25	30	27.5	34	0.6	14	34	40	0.43
SIJK22C	22	28	38.1	21	56	M22×1.5	84	33	112	12	27.5	34	30	37	0.6	14	42	50	0.61
SIJK25C	25	31	42.86	23	60	M24×2	94	36	124	12	28.5	36	33.5	42	0.6	14	52	57	0.81
SIJK28C	28	35	47.63	26	66	M27×2	103	41	136	14	31.5	41	37	46	0.6	14	66	69	1.2
SIJK30C	30	37	50.8	27	70	M30×2	110	45	145	15	33	46	40	50	0.6	15	73	77	1.4

可提供不同螺距或螺纹精度有特殊要求的杆端关节轴承。Can supply other rod ends with different pitch or accuracy of thread.

若是左旋螺纹，轴承型号和螺纹标记需加“L”和“左”，例如：SILJK20C M20×1.5 左-6H。

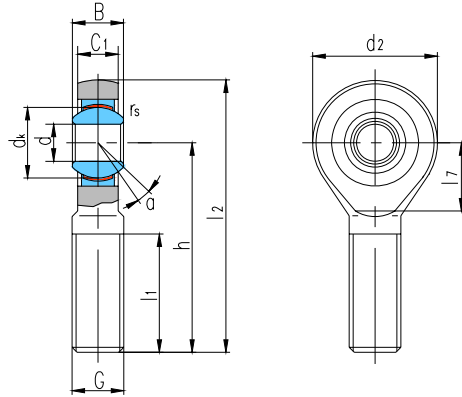
For left-hand thread, suffix “L” is added to bearings number and thread sign, e.g. SILJK20C M20×1.5L-6H.

以上产品的杆端体和内圈可用不锈钢制造，轴承型号后面加“X”标识，即 SIJK...C/X。

The rod and inner ring of the bearings is of stainless steel and the mark of the items has a letter “X”. That is SIJK...C/X..



杆端关节轴承 Rod ends



滑动摩擦副：钢 / PTFE 复合材料

Sliding contact surfaces: Steel / PTFE composite material

轴承 型号 Bearing number	外形尺寸 Dimensions												额定载荷 Load ratings		重量 Weigh ≈kg
	d	B	dk	C1 max	d2	G 6g	h	l1 min	l2	l7	rs min	α° ≈	动载荷 Dynamic	静载荷 Static	
SAJK5C	5	8	11.112	7.5	18	M5	33	19	42	—	0.3	4	3.6	3.9	0.013
SAJK6C	6	9	12.7	7.5	20	M6	36	21	46	—	0.3	9	4.7	5.2	0.020
SAJK8C	8	12	15.88	9.5	24	M8	42	25	54	—	0.3	12	7.6	8.2	0.038
SAJK10C	10	14	19.05	11.5	30	M10	48	28	63	—	0.3	10	12	15	0.071
SAJK12C	12	16	22.23	12.5	34	M12	54	32	71	—	0.3	12	14	19	0.12
SAJK14C	14	19	25.4	14.5	38	M14	60	36	79	—	0.3	14	19	24	0.17
SAJK16C	16	21	28.58	15.5	42	M16	66	37	87	—	0.3	14	23	29	0.23
SAJK18C	18	23	31.75	17.5	46	M18×1.5	72	41	95	—	0.6	13	29	34	0.31
SAJK20C	20	25	34.93	18.5	50	M20×1.5	78	45	103	27.5	0.6	14	34	40	0.40
SAJK22C	22	28	38.1	21	56	M22×1.5	84	48	112	30.5	0.6	14	42	50	0.49
SAJK25C	25	31	42.86	23	60	M24×2	94	55	124	33	0.6	14	52	57	0.65
SAJK28C	28	35	47.63	26	66	M27×2	103	62	136	33	0.6	14	66	69	0.87
SAJK30C	30	37	50.8	27	70	M30×2	110	66	145	36	0.6	15	73	77	1.1

可提供不同螺距或螺纹精度有特殊要求的杆端关节轴承。Can supply other rod ends with different pitch or accuracy of thread.

若是左旋螺纹，轴承型号和螺纹标记需加“L”和“左”，例如：SALJK20C M20×1.5 左-6g。

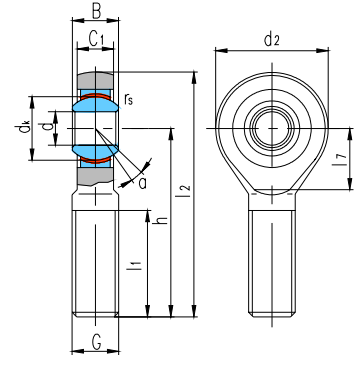
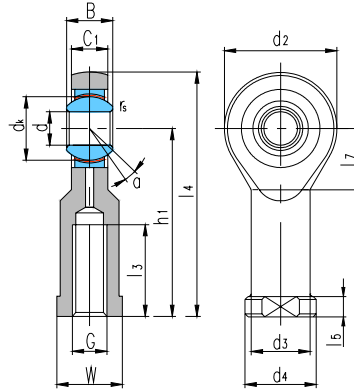
For left-hand thread, suffix “L” is added to bearings number and thread sign, e.g. SALJK20C M20×1.5L-6g.

以上产品的杆端体和内圈可用不锈钢制造，轴承型号后面加“X”标识，即 SAJK...C/X。

The rod and inner ring of the bearings is of stainless steel and the mark of the items has a letter “X”. That is SAJK...C/X..



杆端关节轴承 Rod ends



滑动摩擦副：钢 / PTFE 复合材料

SIK...C

SAK...C

Sliding contact surfaces: Steel / PTFE composite material

轴承 型号 Bearing number	外形尺寸 Dimensions mm														额定载荷 Load ratings kN		重量 Weight ≈kg		
	d	B	dk	C1 max	d2	G 6H	h1	l3 min	l4	l5	l7	W	d3	d4	r _s min	α° ≈		动载荷 Dynamic	静载荷 Static
SIK5C	5	8	11.112	6	19.5	M5	30	12	39.8	5	9.5	10	10	13	0.3	4	3.6	4.6	0.024
SIK6C	6	9	12.7	7.5	21.2	M6	30	9	40.7	5	11	10	10	13	0.3	9	4.7	5.2	0.028
SIK8C	8	12	15.88	9.5	25.5	M8	36	12	48.8	5	13	13	12.5	16	0.3	12	7.6	8.2	0.053
SIK10C	10	14	19.05	11.5	31	M10	43	19	58.6	6.5	16	16	15	19	0.3	10	12	15	0.11
SIK12C	12	16	22.23	12.5	34	M12	50	23	67	6.5	18	18	17.5	22	0.3	12	14	19	0.14
SIK14C	14	19	25.4	14.5	38	M14	57	23	76	8	20	21	20	25	0.3	14	19	24	0.20
SIK16C	16	21	28.58	15.5	42	M16	64	24	85	8	21	24	22	27	0.3	14	23	29	0.25
SIK18C	18	23	31.75	17.5	46	M18×1.5	71	27	94	10	22.5	27	25	31	0.6	13	29	34	0.35
SIK20C	20	25	34.93	18.5	50	M20×1.5	77	30	102	10	25	30	27.5	34	0.6	14	34	40	0.43

轴承 型号 Bearing number	外形尺寸 Dimensions mm												额定载荷 Load ratings kN		重量 Weight ≈kg
	d	B	dk	C1 max	d2	G 6g	h	l1 min	l2	l7	r _s min	α° ≈	动载荷 Dynamic	静载荷 Static	
SAK5C	5	8	11.112	6	19.5	M5	33	19	42.8	—	0.3	4	3.6	3.9	0.017
SAK6C	6	9	12.7	7.5	21.2	M6	36	21	46.7	—	0.3	9	4.7	5.2	0.023
SAK8C	8	12	15.88	9.5	25.5	M8	42	25	54.8	—	0.3	12	7.6	8.2	0.047
SAK10C	10	14	19.05	11.5	31	M10	48	28	63.6	—	0.3	10	12	15	0.085
SAK12C	12	16	22.23	12.5	34	M12	54	32	71	—	0.3	12	14	19	0.12
SAK14C	14	19	25.4	14.5	38	M14	60	36	79	—	0.3	14	19	24	0.17
SAK16C	16	21	28.58	15.5	42	M16	66	37	87	—	0.3	14	23	29	0.23
SAK18C	18	23	31.75	17.5	46	M18×1.5	72	41	95	—	0.6	13	29	34	0.31
SAK20C	20	25	34.93	18.5	50	M20×1.5	78	45	103	27.5	0.6	14	34	40	0.40

可提供不同螺距或螺纹精度有特殊要求的杆端关节轴承。Can supply other rod ends with different pitch or accuracy of thread.

若是左旋螺纹，轴承型号和螺纹标记需加“L”和“左”，例如：SILK20C M20×1.5 左-6H，SALK20C M20×1.5 左-6g。

For left-hand thread, suffix “L” is added to bearings number and thread sign, e.g. SILK20C M20×1.5L-6H, SALK20C M20×1.5 左-6g