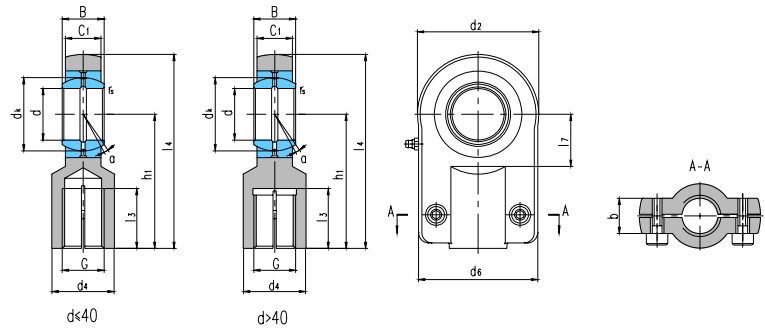




# 杆端关节轴承 Rod ends



滑动摩擦副：钢 / 钢

Sliding contact surfaces: Steel / Steel

轴承 型号 Bearing number	外形尺寸 Dimensions															额定载荷 Load Ratings kN		锁紧 螺钉 Screw	重量 Weight ≈kg
	d	B	d <sub>K</sub>	C <sub>1</sub>	d <sub>2</sub>	G 6H	h <sub>1</sub>	l <sub>3</sub>	l <sub>4</sub>	l <sub>7</sub>	d <sub>4</sub>	d <sub>6</sub>	b	r <sub>s</sub>	α° ≈	动载荷 Dynamic	静载荷 Static		
SIQ12E <sup>1)</sup>	12	10	18	8	35	M10×1.25	42	15	59.5	16	17	35	13	0.3	10	10	17	M6×12	0.12
SIQ16ES <sup>2)</sup>	16	14	25	11	45	M12×1.25	48	17	70.5	20	21	45	13	0.3	10	21	28.5	M6×12	0.22
SIQ20ES <sup>2)</sup>	20	16	29	13	55	M14×1.5	58	19	85.5	25	25	55	17	0.3	9	30	42.5	M8×16	0.43
SIQ25ES	25	20	35.5	17	65	M16×1.5	68	23	100.5	30	30	62	17	0.6	7	48	67	M8×16	0.67
SIQ30ES	30	22	40.7	19	80	M20×1.5	85	29	125	35	36	77	19	0.6	6	62	108	M10×20	1.25
SIQ40ES	40	28	53	23	100	M27×2	105	37	155	45	45	90	23	0.6	7	99	156	M10×25	2.16
SIQ50ES	50	35	66	30	120	M33×2	130	54	190	58	55	105	30	0.6	6	156	245	M12×30	3.90
SIQ60ES	60	44	80	38	160	M42×2	150	65	230	68	68	134	36	1	6	245	380	M16×35	8.2
SIQ80ES	80	55	105	47	205	M48×2	185	75	287.5	92	90	156	45	1	6	400	585	M20×45	16.2
SIQ100ES	100	70	130	57	240	M64×3	240	102	360	116	110	190	55	1	7	607	865	M24×55	28.4

1) 无润滑通道。No relubrication facility.

2) 只能通过杆端眼孔润滑。Can only be relubricated through the rod end housing.

杆端体采用碳钢锻造。Rod end is made of carbon steel.

可装自润滑向心关节轴承。Can supply rod ends with maintenance-free spherical plain bearing.

若是左旋螺纹，轴承型号和螺纹标记需加“L”和“左”，例如：SILQ40ES M27×2 左-6H。

For left-hand thread, suffix “L” is added to bearings number and thread sign, e.g. SILQ40ES M27×2L-6H.