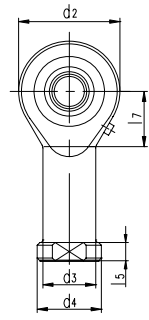
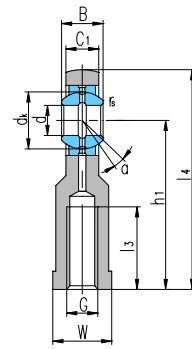
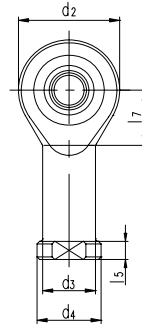
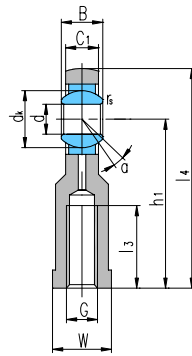




# 杆端关节轴承 Rod ends



滑动摩擦副：钢 / 钢

SI...E

SI...ES

Sliding contact surfaces: Steel / Steel

轴承 型号 Bearing number	外形尺寸 Dimensions																额定载荷 Load Ratings		重量 Weight ≈kg
	d	B	d <sub>K</sub>	C <sub>1</sub> max	d <sub>2</sub>	G 6H	h <sub>1</sub>	l <sub>3</sub> min	l <sub>4</sub>	l <sub>5</sub>	l <sub>7</sub>	W	d <sub>3</sub>	d <sub>4</sub>	r <sub>s</sub> min	α° ≈	动载荷 Dynamic	静载荷 Static	
SI5E <sup>1)</sup>	5	6	10	4.5	21	M5	30	11	40.5	5	11.5	10	10	13	0.3	13	3.4	8.1	0.021
SI6E <sup>1)</sup>	6	6	10	4.5	21	M6	30	11	40.5	5	11.5	11	11	13	0.3	13	3.4	8.1	0.021
SI8E <sup>1)</sup>	8	8	13	6.5	24	M8	36	15	48	5	13	13	13	16	0.3	15	5.5	12.9	0.039
SI10E <sup>1)</sup>	10	9	16	7.5	29	M10	43	20	57.5	6.5	15	16	16	19	0.3	12	8.1	17.6	0.065
SI12E <sup>1)</sup>	12	10	18	8.5	34	M12	50	23	67	7	18	18	19	22	0.3	10	10	24.5	0.096
SI15ES <sup>2)</sup>	15	12	22	10.5	40	M14	61	30	81	8	21	21	21	26	0.3	8	16	36	0.16
SI17ES <sup>2)</sup>	17	14	25	11.5	46	M16	67	34	90	10	23	27	25	29	0.3	10	21	45	0.24
SI20ES <sup>2)</sup>	20	16	29	13.5	53	M20×1.5	77	40	103.5	10	25.5	30	28	34	0.3	9	30	60	0.35
SI25ES	25	20	35.5	18	64	M24×2	94	48	126	12	33	36	35	42	0.6	7	48	83	0.66
SI30ES	30	22	40.7	20	73	M30×2	110	56	146.5	15	37.5	46	42	50	0.6	6	62	110	0.98
SI35ES	35	25	47	22	82	M36×3	125	60	166	15	40	55	48	58	0.6	6	79	146	1.5
SI40ES	40	28	53	24	92	M39×3	142	65	188	18	47	60	52	65	0.6	7	99	180	2.1
SI45ES	45	32	60	28	102	M42×3	145	65	196	20	52	65	58	70	0.6	7	127	240	2.7
SI50ES	50	35	66	31	112	M45×3	160	68	216	20	57	70	62	75	0.6	6	156	290	3.5
SI60ES	60	44	80	39	135	M52×3	175	70	242.5	20	68.5	80	70	88	1	6	245	450	5.6
SI70ES	70	49	92	43	160	M56×4	200	80	280	20	81	85	80	98	1	6	313	610	8.3
SI80ES	80	55	105	48	180	M64×4	230	85	320	25	91	95	95	110	1	6	400	750	13

<sup>1)</sup>不能润滑。Can not be relubricated.

<sup>2)</sup>只能通过杆端眼孔润滑。Can only be relubricated through the rod end housing.

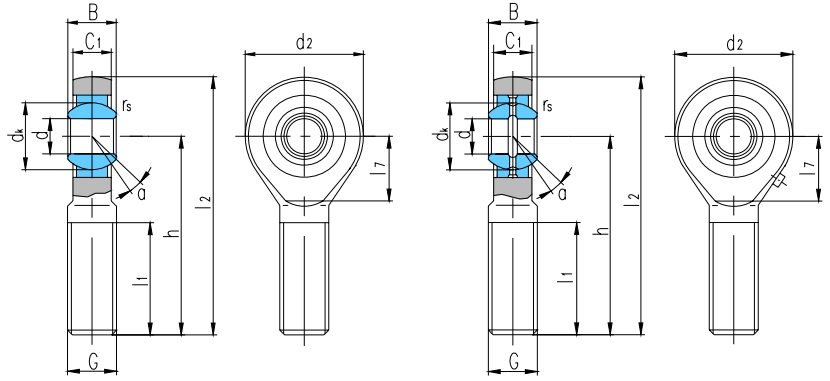
可提供不同螺距或螺纹精度有特殊要求的杆端关节轴承。Can supply other rod ends with different pitch or accuracy of thread.

若是左旋螺纹，轴承型号和螺纹标记需加“L”和“左”，例如：SIL20ES M20×1.5 左-6H。

For left-hand thread, suffix “L” is added to bearings number and thread sign, e.g. SIL20ES M20×1.5L-6H.



# 杆端关节轴承 Rod ends



滑动摩擦副：钢 / 钢

SA...E

SA...ES

Sliding contact surfaces: Steel / Steel

轴承 型号 Bearing number	外形尺寸 Dimensions mm												额定载荷 Load ratings kN		重量 Weight ≈kg
	d	B	d <sub>k</sub>	C <sub>1</sub> max	d <sub>2</sub>	G 6g	h	l <sub>1</sub> min	l <sub>2</sub>	l <sub>7</sub>	r <sub>s</sub> min	α° ≈	动载荷 Dynamic	静载荷 Static	
SA5E <sup>1)</sup>	5	6	10	4.5	21	M5	36	16	46.5	11.5	0.3	13	3.4	3.9	0.017
SA6E <sup>1)</sup>	6	6	10	4.5	21	M6	36	16	46.5	11.5	0.3	13	3.4	5.5	0.017
SA8E <sup>1)</sup>	8	8	13	6.5	24	M8	42	21	54	13	0.3	15	5.5	10	0.029
SA10E <sup>1)</sup>	10	9	16	7.5	29	M10	48	26	62.5	15.5	0.3	12	8.1	16	0.050
SA12E <sup>1)</sup>	12	10	18	8.5	34	M12	54	28	71	18	0.3	10	10	23	0.066
SA15ES <sup>2)</sup>	15	12	22	10.5	40	M14	63	34	83	21	0.3	8	16	32	0.12
SA17ES <sup>2)</sup>	17	14	25	11.5	46	M16	69	36	92	24	0.3	10	21	44	0.19
SA20ES <sup>2)</sup>	20	16	29	13.5	53	M20×1.5	78	43	104.5	25.5	0.3	9	30	60	0.31
SA25ES	25	20	35.5	18	64	M24×2	94	53	126	31	0.6	7	48	83	0.56
SA30ES	30	22	40.7	20	73	M30×2	110	65	146.5	35.5	0.6	6	62	110	0.89
SA35ES	35	25	47	22	82	M36×3	140	82	181	41	0.6	6	79	146	1.4
SA40ES	40	28	53	24	92	M39×3	150	86	196	47	0.6	7	99	180	1.8
SA45ES	45	32	60	28	102	M42×3	163	92	214	52	0.6	7	127	240	2.5
SA50ES	50	35	66	31	112	M45×3	185	104	241	60	0.6	6	156	290	3.6
SA60ES	60	44	80	39	135	M52×3	210	115	277.5	75.5	1.0	6	245	450	5.7
SA70ES	70	49	92	43	160	M56×4	235	125	315	95	1.0	6	313	610	7.9
SA80ES	80	55	105	48	180	M64×4	270	140	360	105.5	1.0	6	400	750	12

<sup>1)</sup>不能润滑。Can not be relubricated.

<sup>2)</sup>只能通过杆端眼孔润滑。Can only be relubricated through the rod end housing.

可提供不同螺距或螺纹精度有特殊要求的杆端关节轴承。Can supply other rod ends with different pitch or accuracy of thread.

若是左旋螺纹，轴承型号和螺纹标记需加“L”和“左”，例如：SAL20ES M20×1.5 左-6g。

For left-hand thread, suffix “L” is added to bearing number and thread sign, e.g. SAL20ES M20×1.5L-6g.