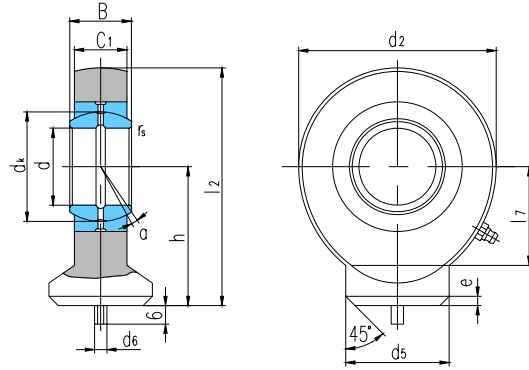




杆端关节轴承 Rod ends



滑动摩擦副：钢 / 钢

Sliding contact surfaces: Steel / Steel

轴承 型号 Bearing number	外形尺寸 Dimensions													额定载荷 Load ratings kN		重量 Weight ≈kg
	d	B	d _k	C ₁	d ₂	h	l ₂	l ₇	d ₅	d ₆	e	r _s	α° ≈	动载荷 Dynamic	静载荷 Static	
SK10E ¹⁾	10	9	16	7	29	24	38.5	15	15	3	2	0.3	12	8.1	15	0.041
SK12E ¹⁾	12	10	18	8	34	27	44	17.5	17.5	3	2	0.3	10	10	21	0.066
SK15ES ²⁾	15	12	22	10	40	31	51	20	21	4	2.5	0.3	8	16	32	0.12
SK16ES ²⁾	16	14	25	11	46	35	58	23	24	4	3	0.3	10	21	40	0.19
SK17ES ²⁾	17	14	25	11	46	35	58	23	24	4	3	0.3	10	21	40	0.18
SK20ES	20	16	29	13	53	38	64.5	27.5	27.5	4	3	0.3	9	30	54	0.26
SK25ES	25	20	35.5	17	64	45	77	33	33.5	4	4	0.6	7	48	72	0.45
SK30ES	30	22	40.7	19	73	51	87.5	37.5	40	4	4	0.6	6	62	95	0.67
SK35ES	35	25	47	21	82	61	102	43	47	4	4	0.6	6	79	125	1.02
SK40ES	40	28	53	23	92	69	115	48	52	4	5	0.6	7	99	156	1.40
SK45ES	45	32	60	27	102	77	128	52	58	6	5	0.6	7	127	208	1.93
SK50ES	50	35	66	30	112	88	144	59	62	6	6	0.6	6	156	250	2.69
SK60ES	60	44	80	38	135	100	167.5	72.5	70	6	8	1	6	245	390	4.60
SK70ES	70	49	92	42	160	115	195	85.5	80	6	10	1	6	313	510	7.00
SK80ES	80	55	105	47	180	141	231	98	95	6	10	1	6	400	620	11.0

¹⁾无润滑通道。No relubrication facility.

²⁾只能通过杆端眼孔润滑。Can only be relubricated through the rod end housing.

可装自润滑向心关节轴承。Can supply rod ends with maintenance-free spherical plain bearing.