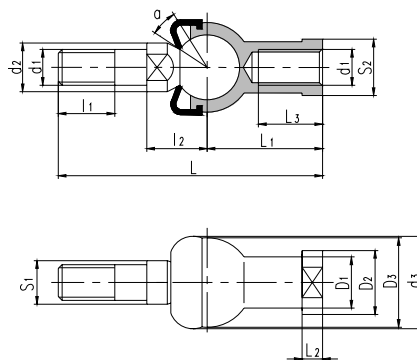




球头杆端关节轴承 Ball Joint Rod ends



滑动摩擦副: 钢 / 锌基合金
Sliding contact surfaces: Steel / Zinc base alloy

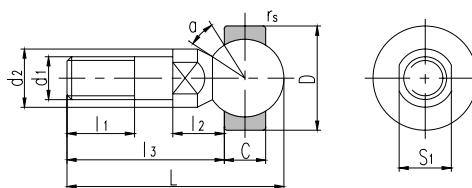


轴承型号 Bearing number	外形尺寸 Dimensions															额定静载荷 Static load ratings kN	重量 Weight ≈kg
	d ₁	d ₂	d ₃	l ₁	l ₂	S ₁	L	L ₁	L ₂	L ₃	D ₁	D ₂	D ₃	S ₂	α° ≈		
SQZ5-RS	M5	9	19	8	11	7	46	24	4	12	9	11	17	9	15	2.8	0.025
SQZ6-RS	M6	10	20	11	12.2	8	55.2	28	5	15	10	13	20	11	15	3.7	0.041
SQZ8-RS	M8	12	24	12	16	10	65	32	5	16	12.5	16	24	14	15	5.8	0.075
SQZ10-RS	M10×1.25	14	30	15	19.5	11	74.5	35	6.5	18	15	19	28	17	15	8.4	0.12
SQZ12-RS	M12×1.25	17	32	17	21	15	84	40	6.5	20	17.5	22	32	19	15	11	0.18
SQZ14-RS	M14×1.5	19	38	22	23.5	17	103	45	8	25	20	25	36	22	11	15	0.27
SQZ16-RS	M16×1.5	22	44	23	25.5	19	112	50	8	27	22	27	40	22	11	15	0.36
SQZ18-RS	M18×1.5	23	45	25	31	20	130.5	58	10	32	25	31	45	27	11	19	0.54
SQZ20-RS	M20×1.5	27	50	25	29	24	133	63	10	38	27.5	34	45	30	7.5	19	0.57
SQZ22-RS	M22×1.5	27	52	26	33	24	145	70	12	43	30	37	50	32	7.5	23	0.76

球头座杆螺纹也可为左旋，若是左旋，轴承型号和螺纹标记需加“L”和“左”，例如：SQZL5-RS M5 左-6H。
The shank of ball joint housing may be left-hand thread, for left-hand thread, suffix “L” is added to bearing number and thread sign, e.g. SQZL5-RS M5L-6H.



滑动摩擦副: 钢 / 锌基合金
Sliding contact surfaces: Steel / Zinc base alloy



轴承型号 Bearing number	外形尺寸 Dimensions												额定静载荷 Static load ratings kN	重量 Weight ≈kg
	d ₁	d ₂	l ₁	l ₂	l ₃	L	S ₁	C	D	r _s min	α° ≈			
SQD5	M5	9	8	8	19	27.5	7	6	16	0.3	25	2	0.014	
SQD6	M6	10	11	8.8	23.8	33.5	8	6.75	18	0.3	25	3.2	0.021	
SQD8	M8	12	12	11.6	28.6	41	10	9	22	0.3	25	5.7	0.042	
SQD10	M10×1.25	14	15	14.2	34.2	49	11	10.5	26	0.3	25	9.2	0.067	
SQD12	M12×1.25	17	17	15.1	38.1	55.1	15	12	30	0.5	25	14	0.108	
SQD14	M14×1.5	19	22	16.8	51.3	70.7	17	13.5	34	0.5	20	19	0.167	
SQD16	M16×1.5	22	23	18	54.5	76.3	19	15	38	0.5	20	26	0.238	