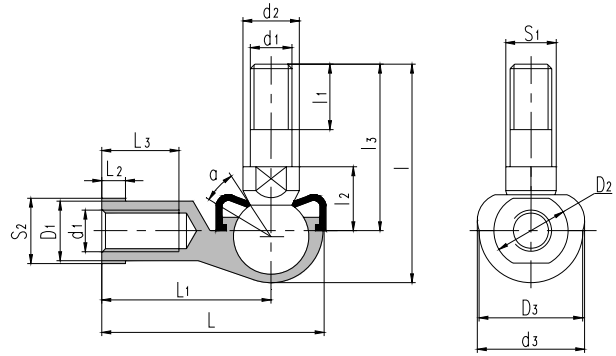




# 球头杆端关节轴承 Ball Joint Rod ends



滑动摩擦副：钢 / 锌基合金

Sliding contact surfaces: Steel / Zinc base alloy

轴承 型号 Bearing number	外形尺寸 Dimensions																	额定静载荷 Static load ratings kN	重量 Weight ≈kg
	mm																		
	d <sub>1</sub>	d <sub>2</sub>	d <sub>3</sub>	l	l <sub>1</sub>	l <sub>2</sub>	l <sub>3</sub>	S <sub>1</sub>	L	L <sub>1</sub>	L <sub>2</sub>	L <sub>3</sub>	D <sub>1</sub>	D <sub>2</sub>	D <sub>3</sub>	S <sub>2</sub>	α° ≈		
SQ5-RS	M5	9	19	29	8	10	21	7	35	27	4	14	9	11	16	9	25	2.2	0.026
SQ6-RS	M6	10	20	35.5	11	11	26	8	40	30.5	5	14	10	13	19	11	25	3.5	0.039
SQ8-RS	M8	12	24	42.5	12	14	31	10	48	36.5	5	17	12.5	16	23	14	25	6.6	0.068
SQ10-RS	M10×1.25	14	30	50.5	15	17	37	11	57	43.5	6.5	21	15	19	27	17	25	10	0.112
SQ12-RS	M12×1.25	17	32	57.5	17	19	42	15	66	50.5	6.5	25	17.5	22	31	19	25	16	0.164
SQ14-RS	M14×1.5	19	38	73.5	22	21.5	56	17	75	57.5	8	26	20	25	35	22	25	19	0.254
SQ16-RS	M16×1.5	22	44	79.5	23	23.5	60	19	84	64.5	8	32	22	27	39	22	20	26	0.336
SQ18-RS	M18×1.5	23	45	90	25	26.5	68	20	93	71	10	34	25	31	44	27	20	33	0.464
SQ20-RS	M20×1.5	27	50	90	25	27	68	24	99	77	10	35	27.5	34	44	30	20	45	0.538
SQ22-RS	M22×1.5	27	52	95	26	28	70	24	109	84	12	41	30	37	50	32	16	48	0.713

球头座杆螺纹也可为左旋，若是左旋，轴承型号和螺纹标记需加“L”和“左”，例如：SQL5-RS M5左-6H。

The shank of ball joint housing may be left-hand thread, for left-hand thread, suffix “L” is added to bearing number and thread sign, e.g. SQL5-RS M5L-6H.

轴承 型号 Bearing number	外形尺寸 Dimensions																	额定静载荷 Static load ratings kN	重量 Weight ≈kg
	mm																		
	d <sub>1</sub>	d <sub>2</sub>	d <sub>3</sub>	l	l <sub>1</sub>	l <sub>2</sub>	l <sub>3</sub>	S <sub>1</sub>	L	L <sub>1</sub>	L <sub>2</sub>	L <sub>3</sub>	D <sub>1</sub>	D <sub>2</sub>	D <sub>3</sub>	S <sub>2</sub>	α° ≈		
SQY4-RS	10-32	9	19	29	8	10	21	7	35	27	4	14	9	11	16	9	25	2.2	0.026
SQY6-RS	1/4-28	10	20	35.5	11	11	26	8	40	30.5	5	14	10	13	19	11	25	3.5	0.039
SQY7-RS	5/16-24	12	24	42.5	12	14	31	10	48	36.5	5	17	12.5	16	23	14	25	6.6	0.068
SQY9-RS	3/8-24	14	30	50.5	15	17	37	11	57	43.5	6.5	21	15	19	27	17	25	10	0.112
SQY11-RS	7/16-20	17	32	57.5	17	19	42	15	66	50.5	6.5	25	17.5	22	31	19	25	16	0.164
SQY12-RS	1/2-20	19	38	73.5	22	21.5	56	17	75	57.5	8	26	20	25	35	22	25	19	0.254
SQY15-RS	5/8-18	22	44	79.5	23	23.5	60	19	84	64.5	8	32	22	27	39	22	20	26	0.336
SQY19-RS	3/4-16	23	45	90	25	26.5	68	20	93	71	10	34	25	31	44	27	20	33	0.464

球头座杆螺纹也可为左旋，若是左旋，轴承型号和螺纹标记需加“L”和“LH”，例如：SQYL4-RS 10-32UNF-2BLH。

The shank of ball joint housing may be left-hand thread, for left-hand thread, suffix “L” is added to bearing number and thread sign, e.g. SQYL4-RS 10-32UNF-2BLH.