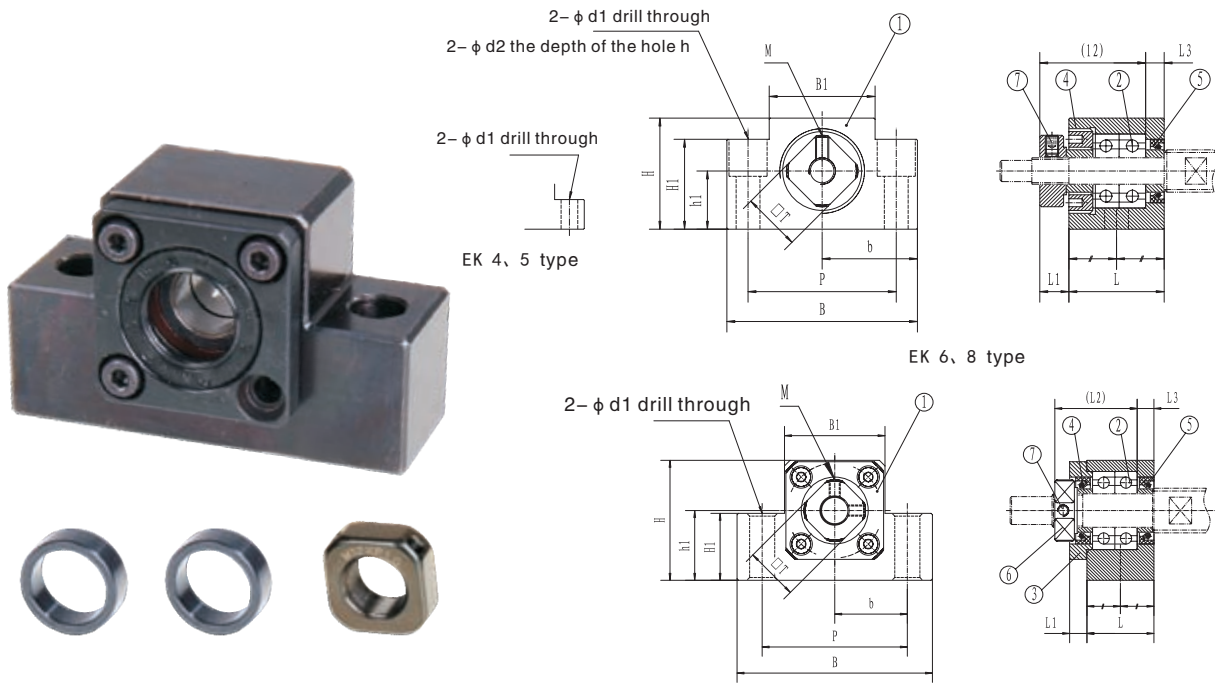


>> EK Fixed Side Support Unit



Unit: mm

Designation	Axis Diameter d	L	L1	L2	L3	B	H	b ±0.02	h1 ±0.02	B1	H1	P	d1	d2	h	M	T	Used Bearing	Weight (kg)
EK 4	4	15	5.5	17.5	3	34	19	17	10	18	7	26	4.5	-	-	M2.6	10	AC4-12-P5	0.06
EK 5	5	16.5	5.5	18.5	3.5	36	21	18	11	20	8	28	4.5	-	-	M2.6	11	705C/DF-P5	0.08
EK 6	6	20	5.5	22	3.5	42	25	21	13	18	20	30	5.5	9.5	11	M3	12	706C/DF-P5	0.14
EK 8	8	23	7	26	4	52	32	26	17	25	26	38	6.6	11	12	M3	14	708C/DF-P5	0.24
EK 10	10	24	6	29.5	6	70	43	35	25	36	24	52	9	-	-	M3	16	7000C/DF-P5	0.46
EK 12	12	24	6	29.5	6	70	43	35	25	36	24	52	9	-	-	M3	19	7001C/DF-P5	0.44
EK 15	15	25	6	36	5	80	49	40	30	41	25	60	11	-	-	M3	22	7002C/DF-P5	0.55
EK 20	20	42	10	50	10	95	58	47.5	30	56	25	75	11	-	-	M4	30	7004C/DF-P5	1.35

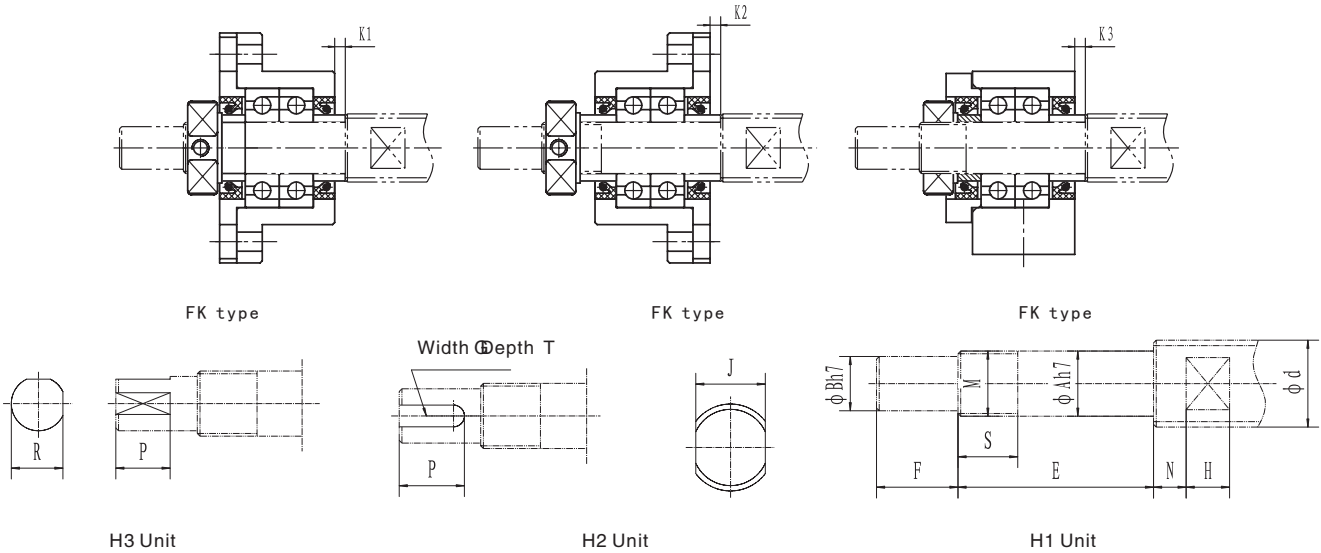
EK4, 8 Type

Component No.	Designation	Amount
1	Clamping Support	1
2	Bearing	1/Set
3	Fixed Nut	1
4	Ring	2
5	Sealing Cover	1
6	Lock Nut	1
7	Inner Hexagonal Fixed Screw (With Cushion Block)	1

EK10, 20 Type

Component No.	Designation	Amount
1	Clamping Support	1
2	Bearing	1/Set
3	Fixed Nut	1
4	Ring	2
5	Sealing Cover	2
6	Lock Nut	1
7	Inner Hexagonal Fixed Screw (With Cushion Block)	2

>> Recommended the bearing end shape is H type (H1,H2,H3) (Used to support unit FK,EK type)



Unit: mm

Designation		BallScrew Diameter d	Bearing part Diameter A	B	E	F	Metric Screw Thread		Opposite Edges Width			H2type Keyway			H2type Process sides into flat		The location of support unit		
FK Type	EK Type						M	S	J	N	H	G	T+0.1	P	R	P	FK type		EK type
												N9						K1	K2
FK 4	EK 4	6	4	3	23	5	M4×0.5	7	4	4	4	-	-	-	2.7	4	1.5	0.5	1.5
FK 5	EK 5	8	5	4	25	6	M5×0.5	7	5	4	4	-	-	-	3.7	5	2	0.5	2
FK 6	EK 6	8	6	4	30	8	M6×0.75	8	5	4	4	-	-	-	3.7	6	3.5	0.5	3.5
FK 8	EK 8	12	8	6	35	9	M8×1	10	8	5	5	-	-	-	5.6	7	3.5	0.5	3.5
FK 10	EK 10	14	10	8	36	15	M10×1	11	10	5	7	2	1.2	11	7.5	11	0.5	-0.5	-0.5
FK 10	EK 10	15	10	8	36	15	M10×1	11	10	5	7	2	1.2	11	7.5	11	0.5	-0.5	-0.5
FK 12	EK 12	16	12	10	36	15	M12×1	11	13	6	8	3	1.8	12	9.5	12	0.5	-0.5	-0.5
FK 12	EK 12	18	12	10	36	15	M12×1	11	13	6	8	3	1.8	12	9.5	12	0.5	-0.5	-0.5
FK 15	EK 15	20	15	12	49	20	M15×1	13	16	6	9	4	2.5	16	11.3	16	4	2	5
FK 15	EK 15	25	15	12	49	20	M15×1	13	18	7	10	4	2.5	16	11.3	16	4	2	5
FK 20	EK 20	28	20	17	64	25	M20×1	17	21	8	11	5	3	21	16	21	1	-3	1
FK 20	EK 20	30	20	17	64	25	M20×1	17	24	8	12	5	3	21	16	21	1	-3	1
FK 20	EK 20	32	20	17	64	25	M20×1	17	27	9	13	5	3	21	16	21	1	-3	1
FK 25	-	36	25	20	76	30	M25×1.5	20	27	10	13	6	3.5	25	19	25	5	-2	-
FK 30	-	40	30	25	72	38	M30×1.5	25	32	10	15	8	4	32	23.5	32	-3	-9	-

Noted:

1. We can design the dimension of support unit as FK,FF,EF type or BK,BF combination which all can be used in the same screw.
- 2.ZNT Company can machine the bearing ends as above dimension.
- 3.About bearing end face side verticality data please refer to JIS B 1192-1997.