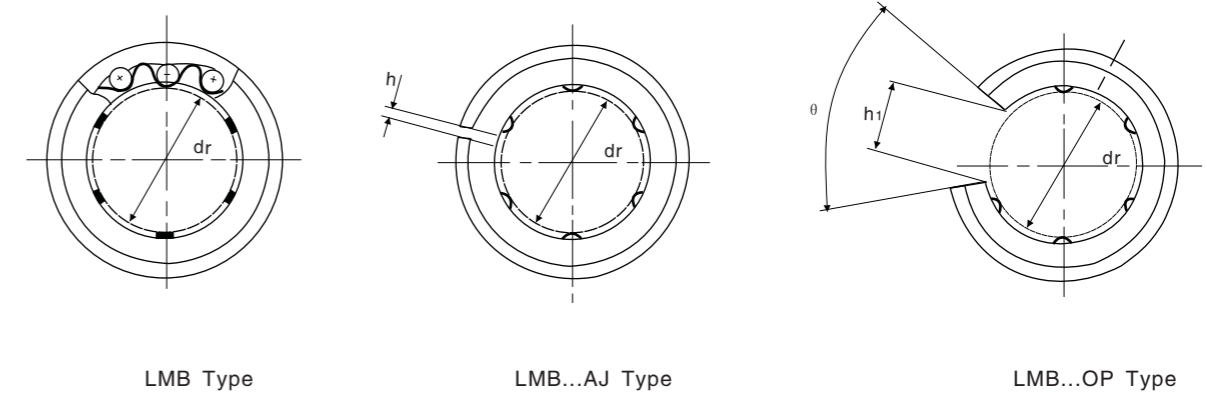


>> Linear bearing series

LMB...UU



Standard Type	Steel Ball Rows	Specification Type			Main				
		Weight grf	Interval Adjustable Type	Open Type	Inside Diameter (dr)		Outer Diameter (D)		
					Tolerance precise	Tolerance High			Tolerance
LMB 3UU	4		-	-	4.763(3/16)		9.525(3/8)	0	
LMB 4UU	4	10	-	-	6.350(1/4)	0	12.700(1/2)	-0.011	
LMB 6UU	4	15	-	-	9.525(3/8)	-0.006	15.875(5/8)	0	
LMB 8UU	4	42	LMB 8UUAJ	LMB 8UUOP	12.700(1/2)		22.225(7/8)	0	-0.013
LMB 10UU	4		LMB 10UUAJ	LMB 10UUOP	15.875(5/8)	0	28.575(1-1/8)	0	
LMB 12UU	5	104	LMB 12UUAJ	LMB 12UUOP	19.050(3/4)	-0.007	31.750(1-1/4)	0	-0.016
LMB 16UU	6	220	LMB 16UUAJ	LMB 16UUOP	25.400(1)		39.688(1-9/16)		
LMB 20UU	6	465	LMB 20UUAJ	LMB 20UUOP	31.750(1-1/4)	0	50.800(2)	0	
LMB 24UU	6	720	LMB 24UUAJ	LMB 24UUOP	38.100(1-1/2)	-0.008	60.325(2-3/8)	0	-0.019
LMB 32UU	6	1310	LMB 32UUAJ	LMB 32UUOP	50.800(2)		76.200(3)		
LMB 40UU	6	2500	LMB 40UUAJ	LMB 40UUOP	63.500(2-1/2)	0	95.250(3-3/4)	0	
LMB 48UU	6	4380	LMB 48UUAJ	LMB 48UUOP	76.200(3)	-0.009	114.600(4-1/2)	0	-0.022
LMB 64UU	6	10200	LMB64UUAJ	LMB 64UUOP	101.600(4)	0	152.400(6)	0	-0.025

L	Dimension (mm)											Basic Rated Load	Specification Type		
	Length			W	D1	h	h1	theta	Eccentric (Max) μm		Radial Interval Tolerance μm			C N	Co N
	Tolerance	B	Tolerance						precise	High					
14.288(9/16)	0 -0.2	10.94	0 -0.2	0.71	8.910	-	-	-	6	10	-3	137	167	LMB 3UU	
19.050(3/4)		12.98		0.992	11.906	-	-	-	8	12	-5	206	265	LMB 4UU	
22.225(7/8)		16.15		0.992	14.935	-	-	-	8	12	-5	225	314	LMB 6UU	
31.750(1-1/4)		24.46		1.168	20.853	1.5	9	80°	8	12	-7	510	775	LMB 8UU	
38.100(1-1/2)		28.04		1.420	26.899	1.5	11	80°	8	12	-9	686	980	LMB 10UU	
41.275(1-5/8)	0 -0.3	29.61	0 -0.3	1.422	29.870	1.5	11	60°	10	15	-9	863	1373	LMB 12UU	
57.150(2-1/4)		44.157		1.727	37.306	1.5	12	50°	10	15	-9	980	1569	LMB 16UU	
66.675(2-5/8)		50.92		1.727	47.904	2.5	15	50°	12	20	-13	1569	2745	LMB 20UU	
76.200(3)		61.26		2.184	56.870	3	18	50°	12	20	-13	2157	4020	LMB 24UU	
101.600(4)		81.07		2.616	72.085	3	25	50°	17	25	-16	3824	7940	LMB 32UU	
127.000(5)	0 -0.4	100.99	0 -0.4	3.048	90.220	3	30	50°	17	25	-16	4705	10000	LMB 40UU	
152.400(6)		120.04		3.048	109.474	3	40	50°	17	25	-16	7353	15980	LMB 48UU	
203.200(8)		158.958		3.530	145.923	3	50	50°	20	30	-20	14118	34800	LMB 64UU	

