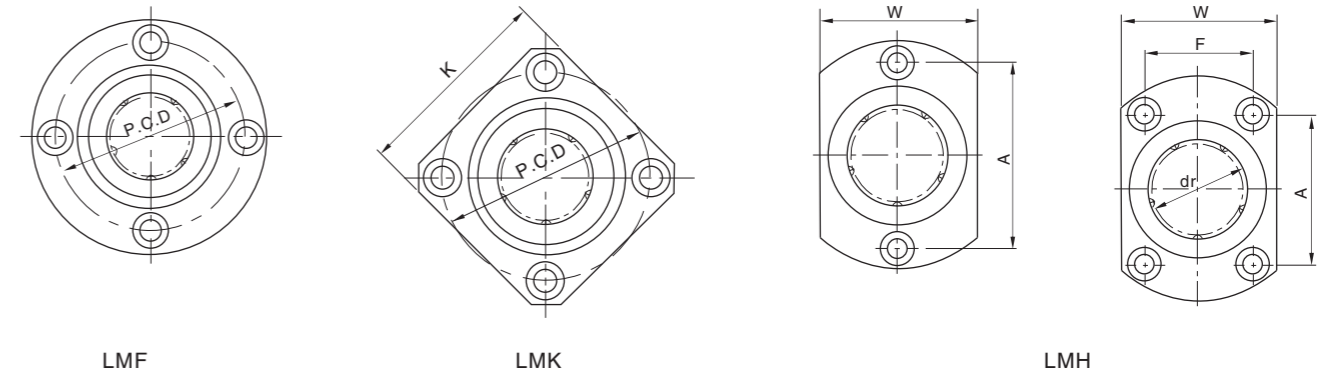


>> Flange linear bearing series

LMF...UU



Type			Ball Rows	Weight (g)	Allowed Diameter Tolerance (μm)	Basic Load		Inside Diameter	
Circular Flange	Square Flange	Oval Flange				Dynamic C(N)	Static Co(N)	dr (mm)	Tolerance (μm)
LMF 6UU	LMK 6UU	LMH 6UU	4	26.5	-5	200	260	6	0 -9
LMF 8SUU	LMK 8SUU	-	4	34	-5	170	220	8	
LMF 8UU	LMK 8UU	LMH 8UU	4	40	-5	260	400	8	
LMF 10UU	LMK 10UU	LMH 10UU	4	78	-5	370	540	10	
LMF 12UU	LMK 12UU	LMH 12UU	4	76	-5	410	590	12	
LMF 13UU	LMK 13UU	LMH 13UU	4	94	-7	500	770	13	
LMF 16UU	LMK 16UU	LMH 16UU	5	134	-7	770	1170	16	
LMF 20UU	LMK 20UU	LMH 20UU	5	180	-9	860	1370	20	
LMF 25UU	LMK 25UU	LMH 25UU	6	340	-9	980	1560	25	0 -10
LMF 30UU	LMK 30UU	LMH 30UU	6	460	-9	1560	2740	30	
LMF 35UU	LMK 35UU	-	6	795	-13	1660	3130	35	0 -12
LMF 40UU	LMK 40UU	-	6	1054	-13	2150	4010	40	
LMF 50UU	LMK 50UU	-	6	2200	-13	3820	7930	50	
LMF 60UU	LMK 60UU	-	6	2960	-16	4700	9990	60	0 -15
LMF 80UU	LMK 80UU	-	6	5800	-20	7350	16000	80	
LMF 100UU	LMK 100UU	-	6	10600	-30	14100	34800	100	0 -20

Remarks: Also have LMF...LUU LMK...LUU LMH...LUU (lengthened)

Dimension (mm)													Type	
Outer Diameter(D) (mm)	Tolerance (μm)	Length(L)		D ₁		H	PCD	K	W	A	F	Squareness ※ (μm)		d ₁ x d ₂ x h
		(mm)	Tolerance (mm)	(mm)	Tolerance (mm)									
12		19		28		5	20	22	18	20	-	12	3.4 X 6.5 X 3.3	LMF/K/H 6UU
15	0 -11	17		32		5	24	25	-	-	-	12	3.4 X 6.5 X 3.3	LMF/K 8SUU
15		24		32		5	24	25	21	24	-	12	3.4 X 6.5 X 3.3	LMF/K/H 8UU
19		29	-0.2	40		6	29	30	25	29	-	12	4.5 X 8 X 4.4	LMF/K/H 10UU
21	0 -13	30		42	0 -0.2	6	32	32	27	32	-	12	4.5 X 8 X 4.4	LMF/K/H 12UU
23		32		43		6	33	34	29	33	-	12	4.5 X 8 X 4.4	LMF/K/H 13UU
28		37		48		6	38	37	34	31	22	12	4.5 X 8 X 4.4	LMF/K/H 16UU
32		42		54		8	43	42	38	36	24	15	5.5 X 9.5 X 5.4	LMF/K/H 20UU
40	0 -16	59		62		8	51	50	46	40	32	15	5.5 X 9.5 X 5.4	LMF/K/H 25UU
45		64	0 -0.3	74		10	60	58	51	49	35	15	6.6 X 11 X 6.5	LMF/K/H 30UU
52		70		82		10	67	64	-	-	-	20	6.6 X 11 X 6.5	LMF/K/H 35UU
60	0 -19	80		96		13	78	75	-	-	-	20	9 X 14 X 8.6	LMF/K/H 40UU
80		100		116	0 -0.3	13	98	92	-	-	-	20	9 X 14 X 8.6	LMF/K/H 50UU
90	0 -22	110		134		18	112	106	-	-	-	25	11 X 17.5 X 10.8	LMF/K/H 60UU
120	0 -25	140		164		18	142	136	-	-	-	30	11 X 17 X 11.1	LMF/K/H 80UU
150	0 -29	175	0 -300	200	0 -0.5	20	175	170	-	-	-	40	14 X 20 X 13.1	LMF/K/H 100UU

