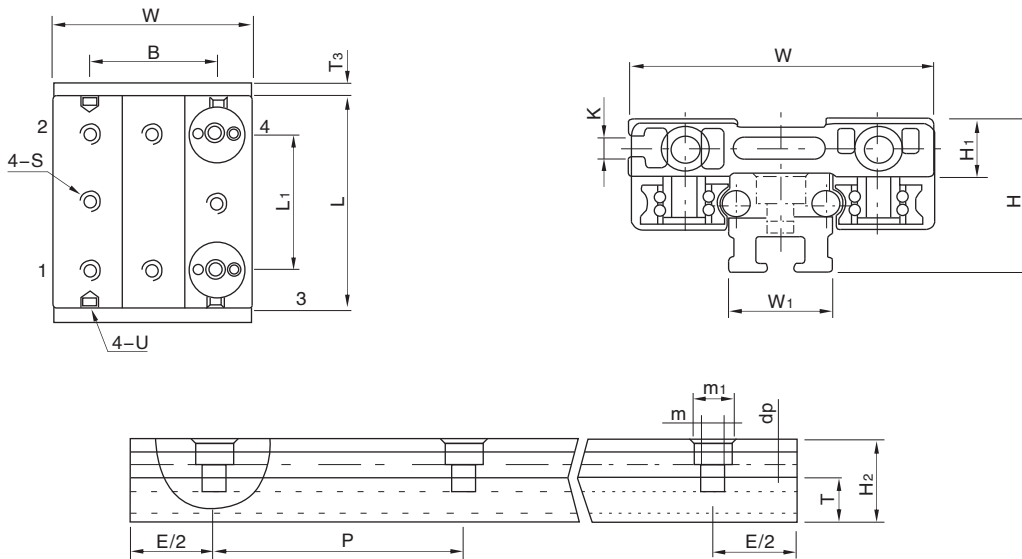
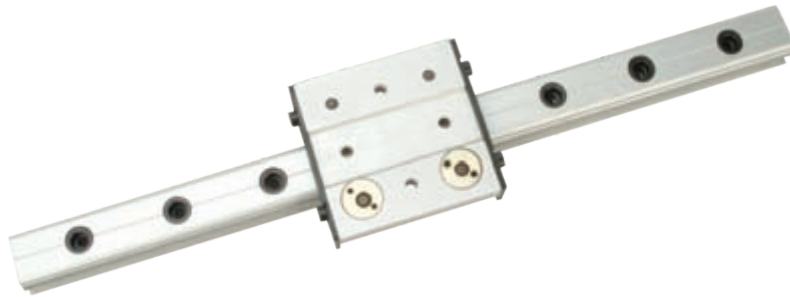


>> Rectangle wheel linear rail series (Patent No: ZL02280208.8)

OSG



OSG	Complete Set		OSGR: Rail OSGR										OSGB: Slide OSGB												
	H	W	W ₁	H ₂	dp	P	Shaft Diameter (K/M)	Weight (K/M)	T	m ₁	m	W	H ₁	L	B	L ₁	S	U	K	Basic Driving Force Safety Load (N)		Dynamic Torque (N.M)			Weight (gf/m)
																				Y _o	Z _o	M _{xo}	M _{yo}	M _{zo}	
OSG-20	30	60	26	18	5.5	60	6	1230	12	9.5	5.5	60	12	60	38	38	M5	M5	4.2	700	660	23.03	33.41	35.47	120
OSG-25	35	80	30	21	6.5	60	8	2015	14	11	6.5	80	12	80	51	51	M6	M6	4.2	1000	1400	62.76	95.2	68	240
OSG-30	40	100	36	25	6.5	60	10	2987	15	11	6.5	100	16.5	100	61	61	M8	M6	5.2	1800	2100	105.98	172.54	147.89	520
OSG-40	50	130	47	31.5	8.5	60	12	5216	20	14	9	130	18	130	84	84	M10	M6	6.2	4000	4000	280.64	448	448	113