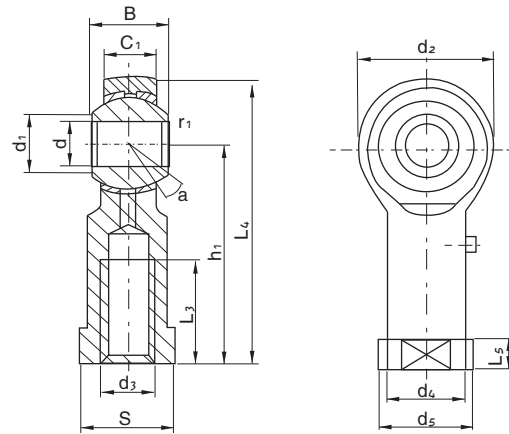


>> Inlaid line rod ends with female thread series

PHS



Bearings number	Dimensions (mm)												Load ratings		a°	Weight (kg)
	C ₁	d	B	d _{2 max}	d ₃	d ₄	h ₁	L _{3 min}	L _{4 max}	L _{5 max}	d _{5 max}	S	Dynamic	Static		
PHS 5	6	5	8	16	M5×0.8	9	27	14	35	4	11	9	3.3	4.1	13	0.016
PHS 6	6.75	6	9	18	M6×1	10	30	14	39	5	13	11	4.3	5.3	13	0.026
PHS 8	9	8	12	22	M8×1.25	12.5	36	17	47	5	16	14	6.8	8.5	14	0.044
PHS 10	10.5	10	14	26	M10×1.5	15	43	21	56	6.5	19	17	10	11	14	0.072
PHS 12	12	12	16	30	M12×1.75	17.5	50	24	65	6.5	22	19	13	14	13	0.108
PHS 14	13.5	14	19	34	M14×2	20	57	27	74	8	25	22	17	20	16	0.161
PHS 16	15	16	21	38	M16×2	21	64	33	83	8	27	22	21	25	15	0.225
PHS 18	16.5	18	23	42	M18×1.5	25	71	36	92	10	31	27	26	30	15	0.295
PHS 20	18	20	25	46	M20×1.5	27.5	77	40	100	10	34	30	31	35	15	0.382
PHS 22	20	22	28	50	M22×1.5	30	84	43	109	12	37	32	38	43	15	0.488
PHS 25	22	25	31	60	M24×2	33.5	94	48	124	12	42	36	47	65	15	0.749
PHS 28	25	28	35	66	M27×2	37	103	53	136	12	46	41	59	77	15	0.949
PHS 30	25	30	37	70	M30×2	40	110	56	145	15	50	41	63	86	17	1.13

1. For Left-hand thread mark "L" is added to bearings number and thread, e.g. PHS8 M8L-6H
2. The surface of spherical plain with a bronze line
3. To plate zinc on the surface of rod body, the housing with a lubrication hole or a grease nipple