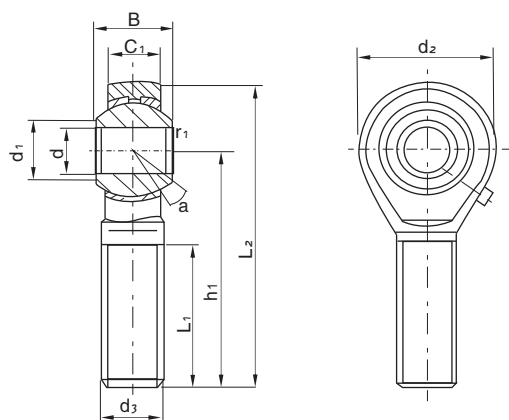


>> Inlaid line rod ends with male thread series

POS



Bearings number	Dimensions (mm)										Load ratings		a°	Weight (kg)
	d	B	r ₁	C ₁	d ₁	d ₂	d ₃	h ₁	L ₁	L ₂	Dynamic	Static		
POS 5	5	8	0.3	6	7.7	16	M5×0.8	33	20	41	3.3	3.9	13	0.016
POS 6	6	9	0.3	6.75	9	18	M6×1	36	22	45	4.3	5.3	13	0.026
POS 8	8	12	0.3	9	10.4	22	M8×1.25	42	25	53	6.8	8.5	14	0.044
POS 10	10	14	0.6	10.5	12.9	26	M10×1.5	48	29	61	10	11	14	0.072
POS 12	12	16	0.6	12	15.4	30	M12×1.75	54	33	69	13	14	13	0.108
POS 14	14	19	0.6	13.5	16.9	34	M14×2	60	36	77	17	20	16	0.161
POS 16	16	21	0.6	15	19.4	38	M16×2	66	40	85	21	25	15	0.225
POS 18	18	23	0.6	16.5	21.9	42	M18×1.5	72	44	93	26	30	15	0.295
POS 20	20	25	0.6	18	24.4	46	M20×1.5	78	47	101	31	35	15	0.382
POS 22	22	28	0.6	20	25.8	50	M22×1.5	84	51	109	38	43	15	0.488
POS 25	25	31	0.6	22	29.6	60	M24×2	94	57	124	47	65	15	0.749
POS 28	28	35	0.6	25	32.3	66	M27×2	103	62	136	59	77	15	0.949
POS 30	30	37	0.6	25	34.8	70	M30×2	110	66	145	63	86	17	1.13

1. For Left-hand thread mark "L" is added to bearings number and thread, e.g. POS8 M8L-6g
2. The surface of spherical plain with a bronze line
3. To plate zinc on the surface of rod body, the housing with a lubrication hole or a grease nipple