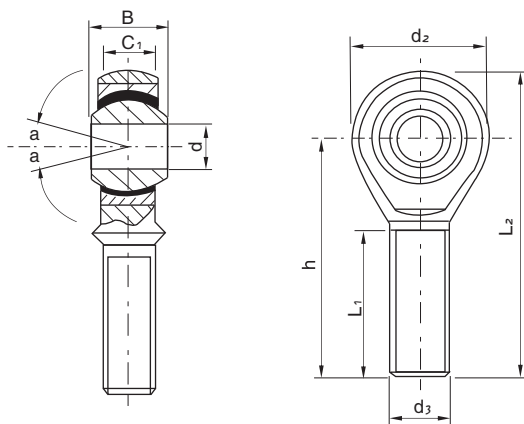


## >> Male combination (E series) rod ends series

### SA...ES



Bearings number	Dimensions (mm)									Load ratings		a°	Weight (kg)
	d	D	B	C <sub>1</sub> max	d <sub>2</sub> max	L <sub>1</sub> min	h	L <sub>2</sub> max	d <sub>3</sub>	Dynamic	Static		
SA5E	5	14	6	4.5	21	16	36	46.5	M5×0.8	3.4	8.1	13	0.011
SA6E	6	14	6	4.5	21	16	36	46.5	M6×1	3.4	8.1	13	0.013
SA8E	8	16	8	6.5	24	21	42	54	M8×1.25	5.5	12.9	15	0.026
SA10E	10	19	9	7.5	29	26	48	62.5	M10×1.5	8.1	17.6	12	0.044
SA12E	12	22	10	8.5	34	28	54	71	M12×1.75	10.8	24.5	10	0.066
SA15ES	15	26	12	10.5	40	34	63	83	M14×2	17	36	8	0.121
SA17ES	17	30	14	11.5	46	36	69	92	M16×2	21	45	10	0.172
SA20ES	20	35	16	13.5	53	43	78	104.5	M20×1.5	30	60	9	0.283
SA25ES	25	42	20	18	64	53	94	126	M24×2	48	83	7	0.504
SA30ES	30	47	22	20	73	65	110	146.5	M30×2	62	110	6	0.835
SA35ES	35	55	25	22	82	82	140	181	M36×3	80	146	6	1.41
SA40ES	40	62	28	24	92	86	150	196	M39×3	100	180	7	1.86
SA45ES	45	68	32	28	102	92	163	214	M42×3	127	240	7	2.57
SA50ES	50	75	35	31	112	104	185	241	M45×3	156	290	6	3.58
SA60ES	60	90	44	39	135	115	210	277.5	M52×3	245	450	6	5.73
SA70ES	70	105	49	43	160	125	235	315	M56×4	315	610	6	7.94
SA80ES	80	120	55	48	180	140	270	360	M64×4	400	750	6	12.06

1. For Left-hand thread mark "L" is added to bearings number and thread, e.g. SaL35ES M36×3L-6g
2. Other size refers to National standard