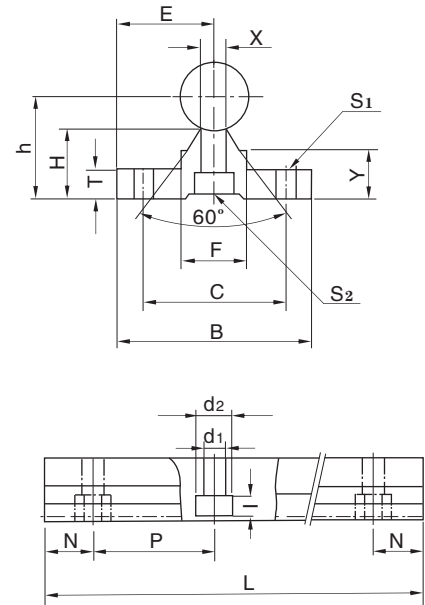


>> Linear motion ball slide units series

SBR



Support Designation	Shaft Dimensions	Dimensions (mm)											Weight (kg/m)
		E	h	B	H	T	F	X	Y	C	S ₁	S ₂ d ₁ × d ₂ × i	
SBR 16	f16	20	25	40	17.8	5	18.5	8	11.7	30	f5.5	5.5 × 9.5 × 5.4	1.00
SBR 20	f20	22.5	27	45	17.7	5	19	8	10	30	f5.5	5.5 × 9.5 × 5.4	1.07
SBR 25	f25	27.5	33	55	21	6	21.5	8	12	35	f6.6	6.6 × 11 × 6.5	1.50
SBR 30	f30	30	37	60	22.8	7	26.5	10.3	13	40	f6.6	6.6 × 11 × 6.5	1.90
SBR 35	f35	32.5	43	65	26.5	8	28	13	15.5	45	f9	9 × 14 × 8.6	2.45
SBR 40	f40	37.5	48	75	29.5	9	38	15.5	17	55	f9	9 × 14 × 8.6	3.25
SBR 50	f50	47.5	62	95	38.8	11	45	20	21	70	f11	11 × 17.5 × 10.8	5.26

Support Rail Stand Lengths and Dimensions

Designation	SBR 16	SBR 20	SBR 25	SBR 30	SBR 35	SBR 40	SBR 50
Standard Length L	190	340	250	450	460	460	470
	340	640	450	850	660	660	670
	640	940	850	1250	860	860	870
	940	1240	1250	1450	1060	1060	1070
N	20	20	25	25	30	30	35
P	150	150	200	200	200	200	200
Max.Length	6000	6000	6000	6000	6000	6000	6000

Remarks: length can be connected over 6m according to customer's requirement.