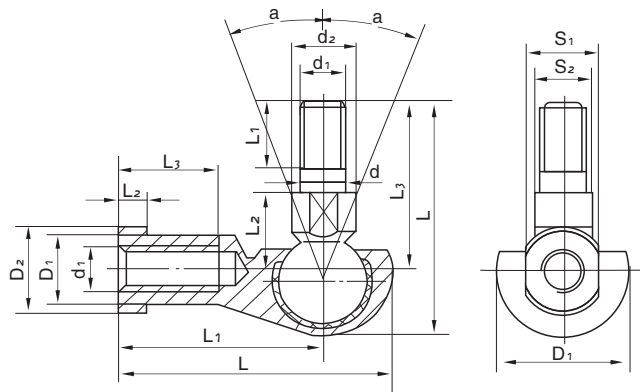


>> Winding shape ball joint rod ends series

SQ...C



Bearings number	Dimensions (mm)															Load ratings		a°
	d ₁	L	d ₂	D ₁	D ₃	d	L ₁	L ₂	L ₃	S ₂	L ₁	L ₂	L ₃	S ₁	D ₂	Dynamic	Static	
SQ5C	M5×0.8	36	9	9	18	5	27	4	14	7	8	10	21	9	12.5	2.7	9.2	25
SQ6C	M6×1	40.5	10	10	20	6	30	5	14	8	11	11	26	11	13	3.6	12	25
SQ8C	M8×1.25	49	12	12.5	25	8	36	5	17	10	12	14	31	14	16	5.7	19	25
SQ10C	M10×1.25	58	14	15	29	10	43	6.5	21	11	15	17	37	17	19	8.2	27	25
SQ12C	M12×1.25	66	17	17.5	31	12	50	6.5	25	15	17	19	42	19	22	11	37	25
SQ14C	M14×1.5	75	19	20	35	14	57	8	26	17	22	21.5	56	22	25	14	48	25
SQ16C	M16×1.5	84	22	21	39	16	64	8	32	19	23	23.5	60	22	27	16	53	20
SQ18C	M18×1.5	93	25	25	44	18	71	10	34	21	25	26.5	68	27	31	18	61	20
SQ20C	M20×1.5	99	27	27.5	44	20	77	10	35	24	25	27	68	30	34	18	61	20
SQ22C	M22×1.5	109	27	30	50	22	84	12	41	24	26	28	70	32	37	22	75	10

1. For Left-hand thread mark "L" is added to bearings number and thread, e.g. SIL30ES M30×2L-6H

2. Other size refers to National standard