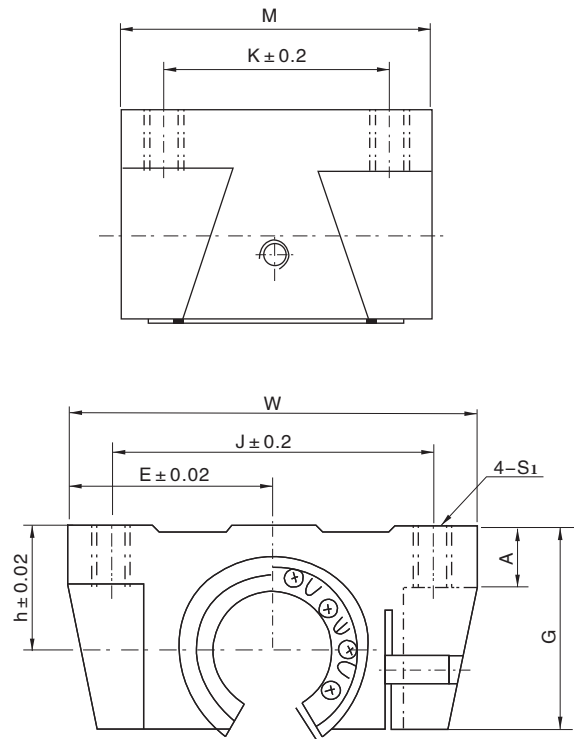


>> Linear motion ball slide units series

TBR...UU TBR...LUU



Support Designation	Shaft Dimensions	Basic load rating		Dimensions (mm)									Slide bush		
		dynamic CN	static CoN	W	G	A	M	S ₁	J	K	E	h	Designation	dynamic CN	static CoN
TBR 16UU	f16	392	490	62	26	8	42	M5	50	30	31	18	LM16UU-OP	392	490
TBR 20UU	f20	784	1176	68	31	10	51	M6	54	37	34	21	LM20UU-OP	784	1176
TBR 25UU	f25	1568	2352	82	41	12	65	M8	65	50	41	28	LM25UU-OP	1568	2352
TBR 30UU	f30	1764	2940	91	48	12	75	M8	75	60	45.5	33.5	LM30UU-OP	1764	2940
TBR 16LUU	f16	780	980	62	26	8	85	M5	50	60	31	18	LM16LUU-OP	392	490
TBR 20LUU	f20	1568	2352	68	31	10	96	M6	54	70	34	21	LM20LUU-OP	784	1176
TBR 25LUU	f25	3136	4704	82	41	12	130	M8	65	100	41	28	LM25LUU-OP	1568	2352
TBR 30LUU	f30	3528	5880	91	48	12	140	M8	75	110	45.5	33.5	LM30LUU-OP	1764	2940